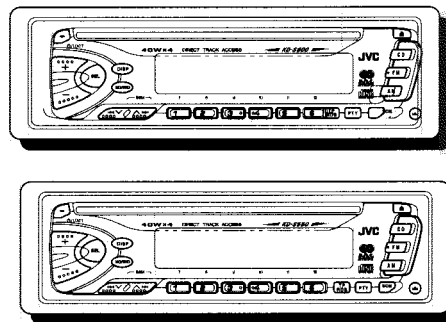
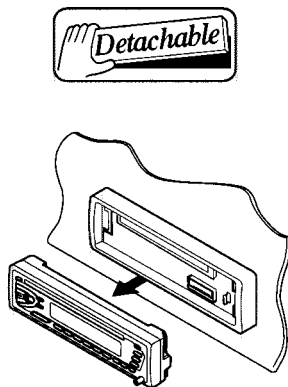


# JVC

# SERVICE MANUAL

CD RECEIVER

## KD-S676R / KD-S673R



**Area Suffix**  
E ---- Continental Europe




Model	Illumination color
KD-S676	Green
KD-S673	Umber

### Contents

Safety precaution .....	1-2	Maintenance of laser pickup .....	2-10
Instructions .....	1-3~15	Description of major ICs.....	2-11
Location of main parts .....	2-1	Block diagram .....	2-24
Disassembly method .....	2-2	Standard schematic diagrams .....	2-25
Adjustment method .....	2-7	Printed circuit board .....	2-28
Flow of functional operation until TOC read .....	2-8	Parts list .....	3-1~11

## Safety precaution

 **CAUTION** Burrs formed during molding may be left over on some parts of the chassis. Therefore, pay attention to such burrs in the case of performing repair of this system.

 **CAUTION** Please use enough caution not to see the beam directly or touch it in case of an adjustment or operation check.

# Instructions



ENGLISH  
DEUTSCH  
FRANÇAIS  
NEDERLANDS

**Having TROUBLE with operation?**  
Please reset your unit  
Refer to page of How to reset your unit

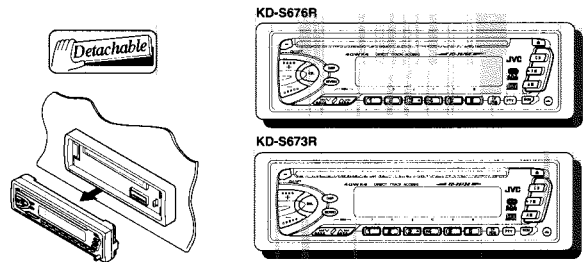
**Haben Sie PROBLEME mit dem Betrieb?**  
Bitte setzen Sie Ihr Gerät zurück  
Siehe Seite Zurücksetzen des Geräts

**Vous avez des PROBLÈMES de fonctionnement?**  
Réinitialisez votre appareil  
Référez-vous à la page intitulée Comment réinitialiser votre appareil

**Hebt u PROBLEMEN met de bediening?**  
Stel het apparaat terug  
Zie de pagina met de paragraaf Het apparaat terugstellen

**CD RECEIVER**  
CD-RECEIVER  
RECEPTEUR CD  
CD-RECEIVER

## KD-S676R/S673R



For installation and connections, refer to the separate manual.  
Für den Einbau und die Anschlüsse siehe das eigenständige Handbuch.  
Pour l'installation et les raccordements, se référer au manuel séparé.  
Bijzonderheden over de installatie en aansluiting van het apparaat vindt u in de desbetreffende handleiding.



VICTOR COMPANY OF JAPAN, LIMITED

EN, GE, FR, NL

1299HISFLEJES

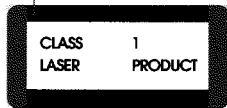
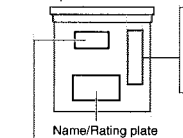


**INSTRUCTIONS**  
BEDIENUNGSANLEITUNG  
MANUEL D'INSTRUCTIONS  
GEBRUIKSAANWIJZING

FSUN3121-311 [E]

### Position And Reproduction Of Labels

Bottom panel of the main unit



Caution:  
This product contains a laser component of higher laser class than Class 1.

<b>DANGER:</b> Invisible laser radiation when open and interlock failed or defeated. A/C/D DIRECT EXPOSURE TO BEAM (e)	<b>ADVARSEL:</b> Invisib laserstråling ved åpning, når sikringsanordningene er ute av funksjon. Utløst laserstråling kan skade øyet. (f)	<b>WARNING:</b> Uoplyst laserstråling når dekket er åpnet. Sikringsanordningene kan være utslått. Betrakta øy. (g)	<b>VARO:</b> Avtäckta ljudskåp utsläpper osynlig laserstråling som kan skada ögat. (h)
--	--	--	--

### IMPORTANT FOR LASER PRODUCTS

- Precautions:**
- CLASS 1 LASER PRODUCT**
  - DANGER:** Invisible laser radiation when open and interlock failed or defeated. Avoid direct exposure to beam.
  - CAUTION:** Do not open the top cover. There are no user-serviceable parts inside. Leave all servicing to qualified service personnel.
  - CAUTION:** This CD player uses invisible laser radiation and is equipped with safety switches to prevent radiation emission when unloading CDs. It is dangerous to defeat the safety switches.
  - CAUTION:** Use of controls, adjustments or performance of procedures other than those specified herein may result in hazardous radiation exposure.

**Note:**

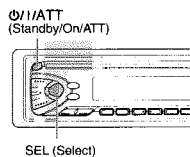
For security reasons, a numbered ID card is provided with this unit, and the same ID number is imprinted on the unit's chassis. Keep the card in a safe place, as it will help the authorities to identify your unit if stolen.

### How to reset your unit

Press and hold both the SEL (Select) and  $\odot$ /I/ATT (Standby/On/ATT) buttons at the same time for several seconds.

This will reset the built-in microcomputer. NOTES: Your preset adjustments — such as preset channels or sound adjustments — will also be erased.

If a CD is in the unit, it will eject when you reset the unit. Pay attention not to drop the CD.



**BEFORE USE**

- For safety...
- Do not raise the volume level too much, as this will block outside sounds, making driving dangerous.
- Stop the car before performing any complicated operations.
- Temperature inside the car... If you have parked the car for a long time in hot or cold weather, wait until the temperature in the car becomes normal before operating the unit.

Thank you for purchasing a JVC product. Please read all instructions carefully before operation, to ensure your complete understanding and to obtain the best possible performance from the unit.

## CONTENTS

<b>BASIC OPERATIONS</b> .....	4
<b>RADIO OPERATIONS</b> .....	5
Listening to the radio .....	5
Storing stations in memory .....	6
FM station automatic preset: SSM .....	6
Manual preset .....	7
Tuning into a preset station .....	8
<b>RDS OPERATIONS</b> .....	9
What you can do with RDS EON .....	9
Tracing the same programme automatically (Network-Tracking Reception) .....	9
Using Standby Reception .....	11
Selecting Your Favorite Programme for PTY Standby Reception .....	12
Searching Your Favorite Programme .....	12
Other convenient RDS functions .....	15
Automatic selection of the station when using the number buttons .....	15
Changing the display mode while listening to an FM station .....	15
Setting the TA volume level .....	15
Automatic clock adjustment .....	16
<b>CD OPERATIONS</b> .....	17
Playing a CD .....	17
Locating a track or a particular portion on a CD .....	18
Selecting CD playback modes .....	19
Prohibiting CD ejection .....	19
<b>SOUND ADJUSTMENTS</b> .....	20
Adjusting the sound .....	20
Turning on/off the loudness function .....	21
Using the Sound Control Memory .....	22
Selecting and storing the sound modes .....	22
Recalling the sound modes .....	23
Canceling Advanced SCM .....	24
Storing your own sound adjustments .....	25
<b>OTHER MAIN FUNCTIONS</b> .....	26
Setting the clock .....	26
Selecting the level display .....	28
Changing the general settings .....	29
Detaching the control panel .....	32
<b>MAINTENANCE</b> .....	33
Handling CDs .....	33
<b>TROUBLESHOOTING</b> .....	34
<b>SPECIFICATIONS</b> .....	35

**BASIC OPERATIONS**

ENGLISH



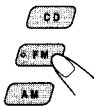
**Note:**  
When you use this unit for the first time, set the built-in clock correctly, see page 26.

**1** Turn on the power.



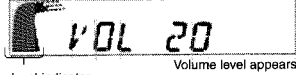
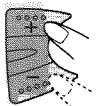
**Note on One-Touch Operation:**  
When you select a source in step 2 below, the power automatically comes on. You do not have to press this button to turn on the power.

**2** Select the source.



To operate the tuner, see pages 5 – 16.  
To operate the CD player, see pages 17 – 19.

**3** Adjust the volume.



Volume level indicator      Volume level appears

**4** Adjust the sound as you want (see pages 20 – 25).

**To drop the volume in a moment**

Press O/ATT briefly while listening to any source. "ATT" starts flashing on the display, and the volume level will drop in a moment.

To resume the previous volume level, press the button briefly again.

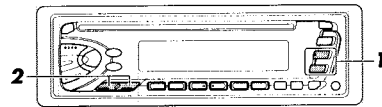
**To turn off the power**

Press O/ATT for more than 1 second.

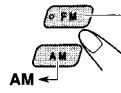
**RADIO OPERATIONS**

**Listening to the radio**

ENGLISH

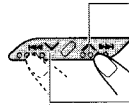


**1** Select the band (FM1, FM2, FM3 or AM).  
You can select any one of FM1, FM2 and FM3 to listen to an FM station.



Volume level indicator      selected band appears

**2** Start searching a station.  
When a station is received, searching stops.



To search stations of higher frequencies.

To search stations of lower frequencies.



**To stop searching before a station is received**, press the same button you have pressed for searching.

**To tune in a particular frequency without searching:**

1 Press FM or AM to select the band.

2 Press and hold ▲▶▶ or ◀◀▼ until "M" starts flashing on the display.

Now you can manually change the frequency while "M" is flashing.

3 Press ▲▶▶ or ◀◀▼ repeatedly until the frequency you want is reached.

• If you hold down the button, the frequency keeps changing (in 50 kHz intervals for FM and 9 kHz intervals for AM – MW/LW ) until you release the button.

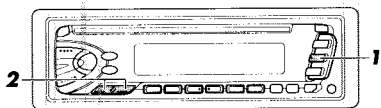
**Storing stations in memory**

You can use one of the following two methods to store broadcasting stations in memory.

- Automatic preset of FM stations: SSM (Strong-station Sequential Memory)
- Manual preset of both FM and AM stations

**FM station automatic preset: SSM**

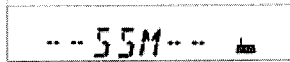
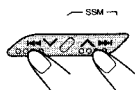
You can preset 6 local FM stations in each FM band (FM1, FM2, and FM3).



**1** Select the FM band number (FM1, FM2 or FM3) you want to store FM stations into.



**2** Press and hold the both buttons for more than 2 seconds.



"SSM" appears, then disappears when automatic preset is over.

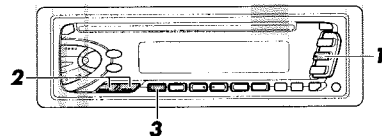
Local FM stations with the strongest signals are searched and stored automatically in the band number you have selected (FM1, FM2 or FM3). These stations are preset in the number buttons — No. 1 (lowest frequency) to No. 6 (highest frequency).

When automatic preset is over, the station stored in number button 1 will be automatically tuned in.

**Manual preset**

You can preset up to 6 stations in each band (FM1, FM2, FM3 and AM) manually.

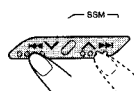
EXAMPLE: Storing an FM station of 88.3 MHz into the preset number 1 of the FM1 band



**1** Select the FM1 band.



**2** Tune into a station of 88.3 MHz.  
See page 5 to tune into a station.



**3** Press and hold the button for more than 2 seconds.



"P1" flashes for a few seconds.

**4** Repeat the above procedure to store other stations into other preset numbers.

**Notes:**

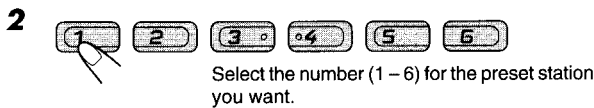
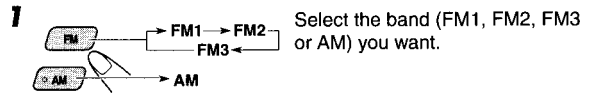
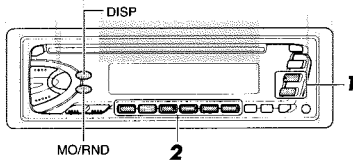
- A previously preset station is erased when a new station is stored in the same preset number.
- Preset stations are erased when the power supply to the memory circuit is interrupted (for example, during battery replacement). If this occurs, preset the stations again.

**RDS OPERATIONS**

ENGLISH

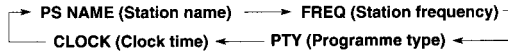
**Tuning into a preset station**

You can easily tune into a preset station. Remember that you must store stations first. If you have not stored them yet, see pages 6 and 7.



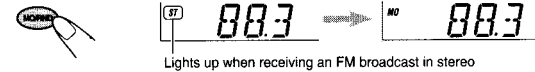
**To change the display information while receiving an FM RDS station**

Press DISP. Each time you press the button, the display changes as follows:



**When an FM stereo broadcast is hard to receive:**

Press MO/RND (mono/random) while listening to an FM stereo broadcast. The MO (mono) indicator lights up on the display. The sound you hear becomes monaural but reception will be improved.



To restore the stereo effect, press the button again.

8

ENGLISH

**What you can do with RDS EON**

RDS (Radio Data System) allows FM stations to send an additional signal along with their regular programme signals. For example, the station send their station names, as well as information about what type of programme they broadcast, such as sports or music, etc. Another advantage of RDS function is called "EON (Enhanced Other Networks)." The EON indicator lights up while receiving an FM station with the EON data. By using the EON data sent from a station, you can tune into a different station of a different network broadcasting your favorite programme or traffic announcement while listening to another programme or to another source such as CD.

By receiving the RDS data, this unit can do the following:

- Tracing the same programme automatically (Network-Tracking Reception)
- Standby Reception of TA (Traffic Announcement) or your favorite programme
- PTY (Programme Type) search
- TP (Traffic Programme) search
- And some other functions

**Tracing the same programme automatically (Network-Tracking Reception)**

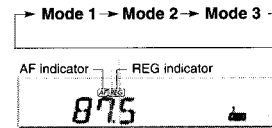
When driving in an area where FM reception is not good, the tuner built in this unit automatically tune in another RDS station, broadcasting the same programme with stronger signals. So, you can continue to listen to the same programme in its finest reception, no matter where you drive. (See the illustration on the next page.)

Two types of the RDS data are used to make Network-Tracking Reception work correctly — PI (Programme Identification) and AF (Alternative Frequency).

Without receiving these data correctly from the RDS station you are listening to, Network-Tracking Reception will not operate.



To use Network-Tracking Reception, press and hold TP/RDS (Traffic Programme/Radio Data System) for more than 1 second. Each time you press and hold the button, Network-Tracking Reception modes change as follows:



9



ENGLISH

**Mode 1**

The AF indicator lights up but the REG indicator does not. Network-Tracking is activated with Regionalization set to "off." Switches to another station within the same network when the receiving signals from the current station become weak.

**Note:**

In this mode, the programme may differ from the one currently received.

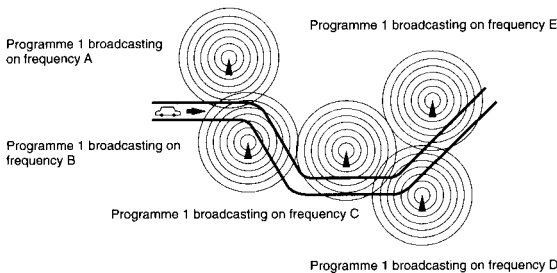
**Mode 2**

Both the AF indicator and the REG indicator light up. Network-Tracking is activated with Regionalization set to "on." Switches to another station, within the same network, broadcasting the same programme when the receiving signals from the current station become weak.

**Mode 3**

Neither the AF indicator nor the REG indicator lights up. Network-Tracking is deactivated.

The same programme can be received on different frequencies.



10



ENGLISH

**Using Standby Reception**

Standby Reception allows the unit to switch temporarily to your favorite programme (PTY: Programme Type) and Traffic Announcement (TA) from the current source (another FM station and CD).

**Note:**

Standby Reception will not work if you are listening to an AM station.

**TA Standby Reception**



- When you press TP/RDS while listening to an FM station, the TP indicator is lit during reception of a TP (Traffic Programme) station and the TA standby mode is engaged.

**Note:**

When the station being received is not a TP station, the TP indicator flashes. Press  $\blacktriangle$  or  $\blacktriangleleft$  to engage the TA standby mode. "SEARCH" appears on the display, and TP station search starts. When a TP station is tuned in, the TP indicator is lit.

- If you are listening to a CD, and wish to listen to a TP station, press TP/RDS to enter the TA standby mode. (The TP indicator lights up.)

If a traffic programme starts broadcasting while the TA standby mode is active, "TRAFFIC" appears and the playback source changes to the FM band. The volume increases to the preset TA volume level and the traffic programme can be heard (see page 15).

To deactivate the TA standby mode, press TP/RDS again.

**PTY Standby Reception**



- When you press PTY while listening to an FM station, the PTY indicator is lit during reception of a PTY station and the PTY standby mode is engaged. The selected PTY name stored on page 13 flashes for 5 seconds.

**Note:**

When the station being received is not a PTY station, the PTY indicator flashes. Press  $\blacktriangle$  or  $\blacktriangleleft$  to engage the PTY standby mode. "SEARCH" appears on the display, and PTY station search starts. When a PTY station is tuned in, the PTY indicator is lit.

- If you are listening to a CD, and wish to listen to a selected PTY broadcast, press PTY to enter the PTY standby mode. (The PTY indicator lights up.)

If the selected PTY programme starts broadcasting while the PTY standby mode is active, the selected PTY name appears and the playback source changes to the FM band. The selected PTY programme can then be heard.

To deactivate the PTY standby mode, press PTY again.

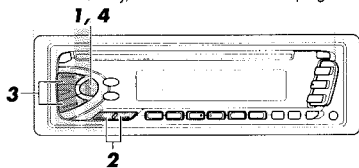
11



ENGLISH

**Selecting Your Favorite Programme for PTY Standby Reception**

You can select your favorite programme for PTY Standby Reception to store in memory. When shipped from the factory, "NEWS" is stored as the programme type for PTY Standby Reception.



- 1 Press and hold SEL for more than 2 seconds to enter the general setting mode (see page 29).
- 2 Select "PTY STBY (standby)" if not shown on the display.
- 3 Select one of twenty-nine PTY codes. (See page 16.) Selected code name appears on the display and is stored into memory.
- 4 Finish the setting.

**Searching Your Favorite Programme**

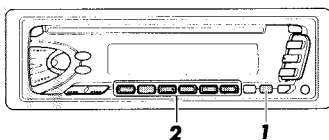
You can search one of your 6 favorite programme types stored in memory. When shipped from the factory, the following 6 programme types have been stored in the number buttons (1 to 6).  
 To change the factory preset settings, see page 13.  
 To search your favorite programme, see page 14.

1	2	3	4	5	6
POP M	ROCK M	EASY M	CLASSICS	AFFAIRS	VARIED



ENGLISH

**To search your favorite programme type**



- 1 Press and hold PTY for more than 1 second while listening to an FM station. The last selected PTY code appears.
- 2 Select one of PTY codes stored in preset number buttons (1 to 6).  

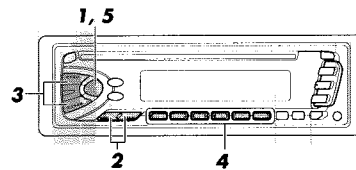
Ex. When "ROCK M" is stored in preset number button 2.

PTY search for your favorite programme starts after 5 seconds.

- If there is a station broadcasting a programme of the same PTY code you have selected, that station is tuned in.
- If there is no station broadcasting a programme of the same PTY code you have selected, the station will not change.

**Note:**  
 In some areas, the PTY search will not work correctly.

**To store your favorite programme types**



- 1 Press and hold SEL for more than 2 seconds to call up the general setting mode (see page 29).
- 2 Select "PTY SRCH (search)" if not shown on the display.
- 3 Select one of twenty-nine PTY codes. (See page 16.) Selected code name appears on the display.  
 • If the code already stored in memory is selected, it will flash on the display.
- 4 Press and hold the number button for more than 2 seconds to store the PTY code selected into the preset number you want. The selected code name will flash on the display.
- 5 Finish the setting.

ENGLISH

**Other convenient RDS functions and adjustments**

**Automatic selection of the station when using the number buttons**

Usually when you press the number button, the preset station is tuned in. However, when the preset station is an RDS station, something different will happen. If the signals from that preset station are not sufficient for good reception, this unit, using the AF data, tunes in another frequency broadcasting the same programme as the original preset station is broadcasting. In case no other station is tuned in, you can also search all receivable frequencies for the same programme. (Programme search) To activate programme search, follow the procedure below.

- Programme search takes a while.
- See also "Changing the general settings" on page 29.

1. Press and hold SEL (select) for more than 2 seconds to call up the general setting mode.
2. Press ▲▶▶ or ◀◀▼ to select "P(programme)-SEARCH."
3. Press the + button and set to "ON".  
 Now programme search is activated.

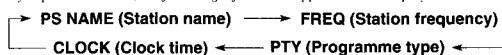
To cancel programme search, repeat the same procedure and select "OFF" in step 3 by turning the control dial counterclockwise.

**Changing the display mode while listening to an FM station**

You can change the initial indication on the display to station name (PS NAME), station frequency (FREQ), or clock time (CLOCK) while listening to an FM RDS station.  
 • See also "Changing the general settings" on page 29.

1. Press and hold SEL (select) for more than 2 seconds to call up the general setting mode.
2. Press ▲▶▶ or ◀◀▼ to select "DISPMODE (display mode)."
3. Press + or - to set to the desired indication — PS NAME (station name), FREQ (station frequency), or CLOCK (clock time).

**Note:**  
 By pressing DISP, you can also change the display while listening to an FM RDS station. Each time you press the button, the following information appears on the display:



\* Then, the display goes back to the original indication in several seconds.

**Setting the TA volume level**

You can preset the volume level for TA Standby Reception. When a traffic programme is received, the volume level automatically changes to the preset level.  
 • See also "Changing the general settings" on page 29.

1. Press and hold SEL (select) for more than 2 seconds to call up the general setting mode.
2. Press ▲▶▶ or ◀◀▼ to select "TA VOL (volume)."
3. Press + or - to the desired volume.

ENGLISH

**CD OPERATIONS**



ENGLISH

**Automatic clock adjustment**

When shipped from the factory, the clock built in this unit is set to be readjust automatically using the CT (Clock Time) data in the RDS signal.  
If you do not want to use automatic clock adjustment, follow the procedure below.  
• See also "Changing the general settings" on page 29.

1. Press and hold SEL (select) for more than 2 seconds to call up the general setting mode.
2. Press ▲▶▶ or ◀◀▼ to select "AUTO ADJ (adjust)."
3. Press - to select "ADJ OFF"  
Now automatic clock adjustment is canceled.

**To reactivate clock adjustment**, repeat the same procedure and select "ADJ ON" in step 3 by pressing the + button.

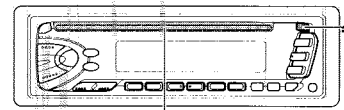
**Note:**  
It takes about 2 minutes to adjust the time using the CT data. So, you must tune to the station for more than 2 minutes continuously; otherwise, the clock time will not be adjusted.

**PTY codes**

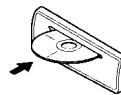
<b>NEWS:</b> News	<b>SOCIAL:</b> Programmes on social activities
<b>AFFAIRS:</b> Topical programmes expanding on current news or affairs	<b>RELIGION:</b> Programmes dealing with any aspect of belief or faith, or the nature of existence or ethics
<b>INFO:</b> Programmes which impart advice on a wide variety of topics	<b>PHONE IN:</b> Programmes where people can express their views either by phone or in a public forum
<b>SPORT:</b> Sport events	<b>TRAVEL:</b> Programmes about travel destinations, package tours, and travel ideas and opportunities
<b>EDUCATE:</b> Educational programmes	<b>LEISURE:</b> Programmes concerned with recreational activities such as gardening, cooking, fishing, etc.
<b>DRAMA:</b> Radio plays	<b>JAZZ:</b> Jazz music
<b>CULTURE:</b> Programmes on national or regional culture	<b>COUNTRY:</b> Country music
<b>SCIENCE:</b> Programmes on natural science and technology	<b>NATION M:</b> Current popular music from another nation or region, in that country's language
<b>VARIED:</b> Other programmes like comedies or ceremonies	<b>OTHER M:</b> Other music
<b>POP M:</b> Pop music	<b>WEATHER:</b> Weather information
<b>ROCK M:</b> Rock music	<b>FINANCE:</b> Reports on commerce, trading, the Stock Market, etc.
<b>EASY M:</b> Easy-listening music	<b>CHILDREN:</b> Entertainment programmes for children
<b>LIGHT M:</b> Light music	<b>OLDIES:</b> Classic pop music
<b>CLASSICS:</b> Classical music	<b>FOLK M:</b> Folk music
<b>OTHER M:</b> Other music	<b>DOCUMENT:</b> Programmes dealing with factual matters, presented in an investigative style

ENGLISH

**Playing a CD**



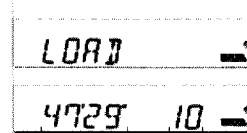
1



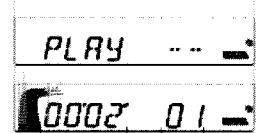
Insert a disc into the loading slot.

The unit turns on, draws a CD and starts playback automatically.

- When a CD is inserted upside down, the CD ejects automatically.



Total playing time of the inserted disc    Total track number of the inserted disc



Elapsed playing time    Current track

**Note on One-Touch Operation:**

When a CD is already in the loading slot, pressing CD turns on the unit and starts playback automatically.

**CAUTION on Volume Setting**

CDs produce very little noise compared with other sources. If the volume level is adjusted for the tuner, for example, the speakers may be damaged by the sudden increase in the output level. Therefore, lower the volume before playing a CD and adjust it as required during playback.

**To stop play and eject the CD**

Press ▲.  
CD play stops and the CD automatically ejects from the loading slot. The source changes to the tuner (you will hear the last received station).

If you change the source to AM or FM, the CD play also stops (without ejecting the CD this time).

- If the ejected disc is not removed for about 15 seconds, the disc is automatically inserted again into the loading slot to protect it from dust. (CD play will not start this time.)
- You can eject the CD even when the unit is turned off.



ENGLISH

**Locating a track or a particular portion on a CD**



Number buttons

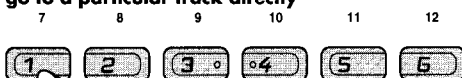
**To fast forward or reverse the track**

- Press and hold ▲▶▶, while playing a CD, to fast forward the track.
- Press and hold ◀◀▼, while playing a CD, to reverse the track.

**To go to the next track or the previous track**

- Press ▲▶▶ briefly, while playing a CD, to go ahead to the beginning of the next track. Each time you press the button consecutively, the beginning of the next tracks is located and played back.
- Press ◀◀▼ briefly, while playing a CD, to go back to the beginning of the current track. Each time you press the button consecutively, the beginning of the previous tracks is located and played back.

**To go to a particular track directly**



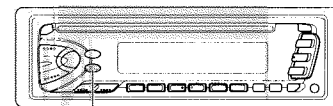
Press the number button corresponding to the track number to start its playback.

- To select a track number from 1 - 6:  
Press 1 (7) - 6 (12) briefly.
- To select a track number from 7 - 12:  
Press and hold 1 (7) - 6 (12) for more than 1 second.



ENGLISH

**Selecting CD playback modes**



MO/RND

**To play back tracks at random (Random Play)**

You can play back all tracks on the CD at random.



Each time you press MO/RND (Mono/Random) while playing a CD, CD random play mode turns on and off alternatively. When the random mode is turned on, the RND indicator lights up on the display and a track randomly selected starts playing.



- To select the next track at random, press ▲▶▶ briefly.

**Prohibiting CD ejection**

You can prohibit the CD ejection and can "lock" a CD in the loading slot.

**Press and hold CD and ▲ for more than 2 seconds.**

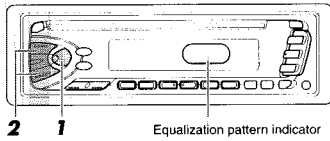
"EJECT" flashes on the display for about 5 seconds, and the CD is "locked."

**To cancel the prohibition and "unlock" the CD**, press and hold CD and ▲ for more than 2 seconds again. The CD ejects automatically.

## SOUND ADJUSTMENTS

### Adjusting the sound

You can adjust the sound characteristics to your preference.



1 Select the item you want to adjust.  
 → BAS → TRE → FAD → BAL → LOUD → VOL

Indication	To do:	Range
BAS (Bass)	Adjust the bass	-6 (min.) — +6 (max.)
TRE (Treble)	Adjust the treble	-6 (min.) — +6 (max.)
FAD (Fader)*	Adjust the front and rear speaker balance	R6 (rear only) — F6 (front only)
BAL (Balance)	Adjust the left and right speaker balance	L6 (left only) — R6 (right only)
LOUD (Loudness)	See page 21	See page 21
VOL (Volume)	Adjust the volume	00 (min.) — 50 (max.)

Note:  
 \* If you are using a two-speaker system, set the fader level to "00."

2 Adjust the level.  
 Equalization pattern changes as you adjust the bass or treble

Note:  
 Normally the + and - buttons work as the volume control buttons. So you do not have to select "VOL" to adjust the volume level.

### Turning on/off the loudness function

The human ear is less sensitive to low and high frequencies at low volumes. The loudness function can boost these frequencies to produce well-balanced sound at low volume level. Each time you press + or -, the loudness function turns on and off alternatively.



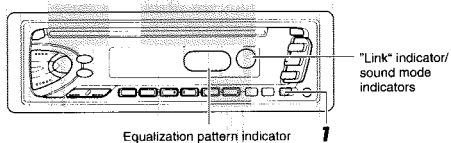
### Using the Sound Control Memory

You can select and store a preset sound adjustment suitable to each playback source. (Advanced SCM)

#### Selecting and storing the sound modes

Once you select a sound mode, it is stored in memory, and will be recalled every time you select the same source. A sound mode can be stored each of the following sources — FM1, FM2, FM3, AM and CD.

• If you do not want to store the sound mode separately for each playback source, but want to use the same sound mode for all the sources, see "Canceling Advanced SCM" on page 24.



1 Select the sound mode you want.  
 Each time you press the button, the sound mode changes as follows.  
 → SCM OFF → BEAT → SOFT → POP

- If the "Link" indicator is lit on the display (with "SCM LINK" set to "LINK ON" — see page 24), the selected sound mode can be stored in memory for the current source, and the effect applies to the current source.
- If the "Link" indicator is NOT lit on the display (with "SCM LINK" set to "LINK OFF"), the selected sound mode effect applies to any source.

Indication	For:	Preset values		
		Bass	Treble	Loudness
SCM OFF	(Flat sound)	00	00	On
BEAT	Rock or disco music	+02	00	On
SOFT	Quiet background music	+01	-03	Off
POP	Light music	+04	+01	Off

### Recalling the sound modes



1 Select the source while the "Link" indicator is lit on the display.  
 The "Link" indicator starts flashing, and the sound mode stored in memory for the selected source is recalled.  
 Equalization pattern of the selected sound mode appears

- Notes:
- You can adjust each sound mode to your preference, and store it in memory. If you want to adjust and store your original sound mode, see "Storing your own sound adjustments" on page 25.
  - To adjust the bass and treble reinforcement levels or to turn on/off the loudness function temporarily, see pages 20 and 21. (Your adjustments will be cancelled if another source is selected.)





### Canceling Advanced SCM

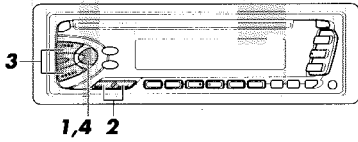
ENGLISH

You can cancel the Advanced SCM (Sound Control Memory), and unlink the sound modes and the playback sources.

When shipped from the factory, a different sound mode can be stored in memory for each source so that you can change the sound modes simply by changing the sources.

LINK ON: Advanced SCM (different SCMs for different sources)

LINK OFF: Conventional SCM (one SCM for all sources)



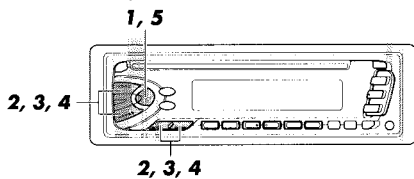
- 1 Press and hold SEL for more than 2 seconds to call up the general setting mode (see page 29).
- 2 Select "SCM LINK" if not shown on the display.
- 3 Select the desired mode — "LINK ON" or "LINK OFF".
- 4 Finish the setting.

### OTHER MAIN FUNCTIONS

#### Setting the clock

ENGLISH

You can also set the clock system either to 24 hours or 12 hours.



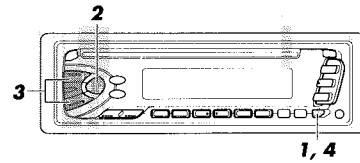
- 1 Press and hold SEL for more than 2 seconds to call up the general setting mode (see page 29).
- 2
  - 1] Set the hour.
    - 1] Select "CLOCK H (Hour)" if not shown on the display.
    - 2] Adjust the hour.
  - 2] Set the minute.
    - 1] Select "CLOCK M (Minute)."
    - 2] Adjust the minute.
- 3
  - 1] Set the hour.
    - 1] Select "CLOCK H (Hour)" if not shown on the display.
    - 2] Adjust the hour.
  - 2] Set the minute.
    - 1] Select "CLOCK M (Minute)."
    - 2] Adjust the minute.



### Storing your own sound adjustments

ENGLISH

You can adjust the sound modes (BEAT, SOFT, POP: see page 22) to your preference and store your own adjustments in memory.



- 1 Call up the sound mode you want to adjust. See page 22 for details.
- 2 Select "BAS", "TRE" or "LOUD."
 

Within 5 seconds
- 3 Adjust the bass or treble level or turn the loudness function ON/OFF. See page 20 for details.
 

Within 5 seconds
- 4 Press and hold SCM until the sound mode you have selected in step 1 flashes on the display. Your setting is stored in memory.
- 5 Repeat the same procedure to store other settings.

#### To reset to the factory settings

Repeat the same procedure and reassign the preset values listed in the table on page 22.

- 4
  - 1] Set the clock system.
    - 1] Select "24H/12H."
    - 2] Select "24H" or "12H."
  - 2] Set the clock system.
    - 1] Select "24H/12H."
    - 2] Select "24H" or "12H."
- 5 Finish the setting.

#### To check the current clock time (changing the display mode)

Press DISP repeatedly. Each time you press the button, the display mode changes as follows.

During tuner operation:	During CD operation:
Clock ↔ Frequency	Clock ↔ Elapsed playing time
<p>Note: For the indication change during RDS operation, see page 15.</p>	

- If the unit is not in use when you press DISP, the power turns on, the clock time is shown for 5 seconds, then the power turns off.

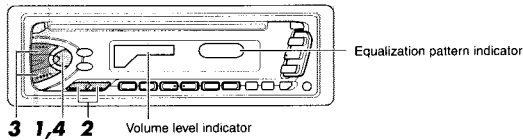
ENGLISH



**Selecting the level display**

ENGLISH

You can select the level display according to your preference.  
 When shipped from the factory, "VOL 2" is selected.  
 VOL 1: Shows the volume level indicator and the equalization pattern indicator.  
 VOL 2: Alternates "VOL 1" setting and illumination display.  
 OFF: Erase the volume level indicator and the equalization pattern indicator.



- 1** Press and hold SEL for more than 2 seconds to call up the general setting mode (see page 29).
- 2** Select "LEVEL" if not shown on the display.
- 3** Select the desired mode — "VOL 1", "VOL 2" or "OFF".
- 4** Finish the setting.



	1	2	3	4	
				Factory-preset settings	See page
				Finish the setting	
	Select.		Set.		
<b>CLOCK H</b>	Hour adjustment	Back	Advance	0.00	26
<b>CLOCK M</b>	Minute adjustment	Back	Advance		
<b>SCM LINK</b>	Sound control memory linkage	LINK ON	LINK OFF	LINK ON	24
<b>24H/12H</b>	24/12-hour time display	12H	24H	24H	27
<b>AUTO ADJ</b>	Automatic setting of the clock	OFF	ON	ON	16
<b>DISPMODE</b>	Display mode	PS NAME ↔ FREQ ↕ CLOCK ↕		PS NAME	15
<b>PTY STBY</b>	PTY standby	29 programme types (See page 16.)		NEWS	12
<b>PTY SRCH</b>	PTY search			(See page 12.)	12
<b>TA VOL</b>	Traffic announcement volume	VOL (00-50)		VOL (20)	15
<b>P-SEARCH</b>	Programme search	ON	OFF	OFF	15
<b>TEL</b>	Audio mute for cellular phone system	OFF ↔ MUTING 1 ↕ MUTING 2 ↕		OFF	31
<b>LEVEL</b>	Level display	OFF ↔ VOL 1 ↕ VOL 2 ↕		VOL 2	28

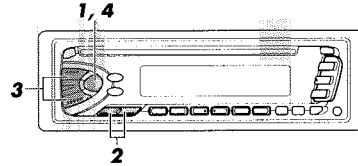


**Changing the general settings**

ENGLISH

You can change the items listed on the next page to your preference.

**Basic Procedure**



- 1** Press and hold SEL for more than 2 seconds to call up the general setting mode.
- 2** Select the item you want to adjust. (See page 30.)
- 3** Adjust the item selected above.
- 4** Finish the setting.



**Selecting the telephone muting**

This mode is used when a cellular phone system is connected. Depending on the phone system used, select either "MUTING 1" or "MUTING 2," whichever mutes the sounds from this unit. When shipped from the factory, this mode is deactivated.  
 • MUTING 1: Select this if this setting can mute the sounds.  
 • MUTING 2: Select this if this setting can mute the sounds.  
 • OFF: Cancels the telephone muting.

1. Press and hold SEL (select) for more than 2 seconds to call up the general setting mode.
2. Press ▲▶▶ or ◀◀◀ to select "TEL (telephone)".
3. Press + or - to select the desired mode.

The telephone muting mode changes as follows:



ENGLISH

**MAINTENANCE ?!**



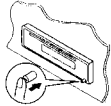
**Detaching the control panel**

You can detach the control panel when leaving the car. When detaching or attaching the control panel, be careful not to damage the connectors on the back of the control panel and on the panel holder.

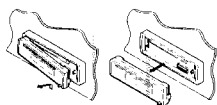
**How to detach the control panel**

Before detaching the control panel, be sure to turn off the power.

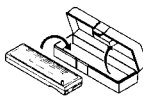
**1** Unlock the control panel.



**2** Lift and pull the control panel out of the unit.

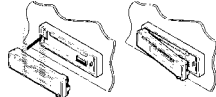


**3** Put the detached control panel into the case provided.

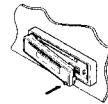


**How to attach the control panel**

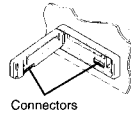
**1** Insert the left side of the control panel into the groove on the panel holder.



**2** Press the right side of the control panel to fix it to the panel holder.



**Note on cleaning the connectors:**  
If you frequently detach the control panel, the connectors will deteriorate. To minimize this possibility, periodically wipe the connectors with a cotton swab or cloth moistened with alcohol, being careful not to damage the connectors.



Connectors

**! TROUBLESHOOTING**

What appears to be trouble is not always serious. Check the following points before calling a service center.

Symptoms	Causes	Remedies
• CD cannot be played back.	CD is inserted upside down.	Insert the CD correctly.
• CD sound is sometimes interrupted.	You are driving on rough roads.	Stop CD play while driving on rough roads.
	CD is scratched.	Change the CD.
	Connections are incorrect.	Check the cords and connections.
• "NO DISC" appears on the display.	No CD is in the loading slot.	Insert a CD into the loading slot.
	CD is inserted incorrectly.	Insert it correctly.
• Sound cannot be heard from the speakers.	The volume control is turned to the minimum level.	Adjust it to the optimum level.
	Connections are incorrect.	Check the cords and connections.
• SSM (Strong-station Sequential Memory) automatic preset does not work.	Signals are too weak.	Store stations manually.
• Static noise while listening to the radio.	The antenna is not connected firmly.	Connect the antenna firmly.
• CD can be neither played back nor ejected.	The CD player may function incorrectly.	Press <b>⏪/ATT</b> and <b>▶</b> at the same time for more than 2 seconds. Be careful not to drop CD when it is ejected.
• The unit does not work at all.	The built-in microcomputer may function incorrectly due to noise, etc.	Press <b>⏪/ATT</b> and <b>SEL</b> at the same time for more than 2 seconds to reset the unit. (The clock setting and preset stations stored in memory are erased.) (See page 2.)

**Handling CDs**

This unit has been designed only to reproduce the CDs bearing the mark. Other discs cannot be played back.

**How to handle CDs**

**When removing a CD from its case,** press down the center holder of the case and lift the CD out, holding it by the edges.

- Always hold the CD by the edges. Do not touch its recording surface.

**When storing a CD into its case,** gently insert the CD around the center holder (with the printed surface facing up).

- Make sure to store CDs into the cases after use.



**To keep CDs clean**

A dirty CD may not play correctly. If a CD does become dirty, wipe it with a soft cloth in a straight line from center to edge.

**To play new CDs**

New CDs may have some rough spots around the inner and outer edges. If such a CD is used, this unit may reject the CD.

To remove these rough spots, rub the edges with a pencil or ball-point pen, etc.



**Moisture condensation**

Moisture may condense on the lens inside the CD player in the following cases:

- After starting the heater in the car.
- If it becomes very humid inside the car.

Should this occur, the CD player may malfunction. In this case, eject the CD and leave the unit turned on for a few hours until the moisture evaporates.

**CAUTIONS:**

- Do not insert 8cm (3 3/16") CDs (single CDs) into the loading slot. (Such CDs cannot be ejected.)
- Do not insert any CD of unusual shape - like a heart or flower; otherwise, it will cause a malfunction.
- Do not expose CDs to direct sunlight or any heat source or place them in a place subject to high temperature and humidity. Do not leave them in a car.
- Do not use any solvent (for example, conventional record cleaner, spray, thinner, benzene, etc.) to clean CDs.

**When playing a CD-R (Recordable)**

You can play back your original CD-Rs on this receiver.

- Before playing back CD-Rs, read their instructions or cautions carefully.
- Some CD-Rs recorded on CD recorders may not be played back on this receiver because of their disc characteristics, and of the following reasons:
  - Discs are dirty or scratched.
  - Moisture condensation occurs on the lens inside the unit.
  - The pickup lens inside the CD player is dirty.
- Use only "finalized" CD-Rs.
- CD-RWs (Rewritable) cannot be played back on this receiver.

**About mistracking:**

Mistracking may result from driving on extremely rough roads. This does not damage the unit and the CD, but will be annoying. We recommend that you stop CD play while driving on such rough roads.

**SPECIFICATIONS**

**AUDIO AMPLIFIER SECTION**

Maximum Power Output:  
Front: 40 W per channel  
Rear: 40 W per channel  
Continuous Power Output (RMS):  
Front: 16 W per channel into 4 Ω, 40 Hz to 20,000 Hz at no more than 0.8% total harmonic distortion.  
Rear: 16 W per channel into 4 Ω, 40 Hz to 20,000 Hz at no more than 0.8% total harmonic distortion.  
Load Impedance: 4 Ω (4 to 8 Ω allowance)  
Tone Control Range  
Bass: ±10 dB at 100 Hz  
Treble: ±10 dB at 10 kHz  
Frequency Response: 40 Hz to 20,000 Hz  
Signal-to-Noise Ratio: 70 dB  
Line-Out Level/Impedance: 2.0 V/20 k Ω load (full scale)  
Output Impedance: 1k

**TUNER SECTION**

Frequency Range  
FM: 87.5 MHz to 108.0 MHz  
AM: (MW) 522 kHz to 1,620 kHz  
(LW) 144 kHz to 279 kHz  
**[FM Tuner]**  
Usable Sensitivity: 11.3 dBf (1.0 μV/75 Ω)  
50 dB Quieting Sensitivity: 16.3 dBf (1.8 μV/75 Ω)  
Alternate Channel Selectivity (400 kHz): 65 dB  
Frequency Response: 40 Hz to 15,000 Hz  
Stereo Separation: 30 dB  
Capture Ratio: 1.5 dB  
**[MW Tuner]**  
Sensitivity: 20 μV  
Selectivity: 35 dB  
**[LW Tuner]**  
Sensitivity: 50 μV

**CD PLAYER SECTION**

Type: Compact disc player  
Signal Detection System: Non-contact optical pickup (semiconductor laser)  
Number of channels: 2 channels (stereo)  
Frequency Response: 5 Hz to 20,000 Hz  
Dynamic Range: 96 dB  
Signal-to-Noise Ratio: 98 dB  
Wow and Flutter: Less than measurable limit

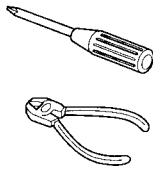
**GENERAL**

Power Requirement  
Operating Voltage: DC 14.4 volts (11 V to 16 V allowance)  
Allowable Working Temperature: 0°C to +40°C  
Grounding System: Negative ground  
Dimensions (W x H x D)  
Installation Size:  
182 mm x 52 mm x 150 mm  
Panel Size: 188 mm x 58 mm x 14 mm  
Mass: 1.3 kg (excluding accessories)

*Design and specifications subject to change without notice.*

**JVC** KD-S676R  
KD-S673R  
Installation/Connection Manual  
Einbau/Anschlußanleitung  
Manuel d'installation/raccordement

FSUN3121-T211  
[E]



1299HISFLEJES  
EN, GE, FR

**ENGLISH**

- This unit is designed to operate only on 12 volts DC, NEGATIVE ground electrical systems.

**INSTALLATION  
(IN-DASH MOUNTING)**

- The following illustration shows a typical installation. However, you should make adjustments corresponding to your specific car. If you have any questions or require information regarding installation kits, consult your JVC IN-CAR ENTERTAINMENT dealer or a company supplying kits.

**DEUTSCH**

- Dieses Gerät ist nur für einen Betrieb in elektrischen Anlagen mit 12 V Gleichstrom und (-) Erdung ausgelegt.

**EINBAU  
(IM ARMATURENBRETT)**

- Die folgende Abbildung zeigt einen typischen Einbau. Dennoch müssen Sie entsprechend Ihrem jeweiligen Auto Anpassungen vornehmen. Bei irgendwelchen Fragen oder wenn Sie Informationen hinsichtlich des Einbausatzes brauchen, wenden Sie sich an Ihren JVC Autoradiohändler oder ein Unternehmen das diese Einbausätze vertreibt.

**FRANÇAIS**

- Cet appareil est conçu pour fonctionner sur des sources de courant continu de 12 volts à masse NEGATIVE seulement.

**INSTALLATION  
(MONTAGE DANS LE TABLEAU DE BORD)**

- L'illustration suivante est un exemple d'installation typique. Cependant, vous devez faire les ajustements correspondant à votre voiture particulière. Si vous avez des questions ou avez besoin d'information sur des kits d'installation, consulter votre revendeur d'autoradios JVC ou une compagnie d'approvisionnement.

**1 Before mounting:** Press ▲ (Control Panel Release button) to detach the control panel.

**2** Remove the trim plate.

**3** Remove the sleeve after disengaging the sleeve locks.

① Stand the unit.

**Note:** When you stand the unit, be careful not to damage the fuse on the rear.

② Insert the 2 handles between the unit and the sleeve, as illustrated, to disengage the sleeve locks.

③ Remove the sleeve.

**Note:** Be sure to keep the handles for future use after installing the unit.

**4** Install the sleeve into the dashboard.

\* After the sleeve is correctly installed in the dashboard, bend the appropriate tabs to hold the sleeve firmly in place, as illustrated.

**5** Fix the mounting bolt to the rear of the unit's body and place the rubber cushion over the end of the bolt.

**6** Do the required electrical connections.

**7** Slide the unit into the sleeve until it is locked.

**8** Attach the trim plate so that the projection on the trim plate is fixed to the left side of the unit.

**9** Attach the control panel.

**1 Vor dem Einbau:** ▲ (Schalttafel-Freigabetaсте) zum Lösen der Schalttafel drücken.

**2** Den Frontrahmen herausnehmen.

**3** Die Halterung nach dem Entriegeln der Halterungssperren abnehmen.

① Das Gerät aufstellen.

**Hinweis:** Beim Aufstellen des Geräts darauf achten, daß die Sicherung auf der Rückseite nicht beschädigt wird.

② Die beiden Griffe zwischen dem Gerät und der Halterung wie abgebildet einstecken und die Halterungssperren entriegeln.

③ Die Halterung entfernen.

**Hinweis:** Sicherstellen, daß die Griffe für künftigen Gebrauch nach dem Einbau des Geräts aufbewahrt werden.

**4** Die Halterung im Armaturenbrett einbauen.

\* Nach dem korrekten Einbau der Halterung im Armaturenbrett, die entsprechenden Riegel umknicken, um die Halterung an ihrem Platz zu sichern, siehe Abbildung.

**5** Die Befestigungsschraube an der Rückseite des Gerätekörpers befestigen und das Ende der Schraube mit einem Gummipuffer abdecken.

**6** Nehmen Sie die erforderlichen elektrischen Anschlüsse vor.

**7** Das Gerät in die Halterung schieben, bis es einrastet.

**8** Befestigen Sie die Frontrahmen in der Form, daß der Fortsatz der Frontrahmen auf der linken Seite des Geräts befestigt wird.

**9** Die Schalttafel anbringen.

**1 Avant le montage:** Appuyer sur ▲ (touche de libération du panneau de commande) pour détacher le panneau de commande.

**2** Retirer la plaque d'assemblage.

**3** Libérer les verrous du manchon et retirer le manchon.

① Poser l'appareil à la verticale.

**Remarque:** Lorsque vous mettez l'appareil à la verticale, faire attention de ne pas endommager le fusible situé sur le fond.

② Insérer les 2 poignées entre l'appareil et le manchon comme indiqué pour désengager les verrous de manchon.

③ Retirer le manchon.

**Remarque:** S'assurer de garder les poignées pour une utilisation ultérieure, après l'installation de l'appareil.

**4** Installer le manchon dans le tableau de bord.

\* Après installation correcte du manchon dans le tableau de bord, plier les bonnes pattes pour maintenir fermement le manchon en place, comme montré.

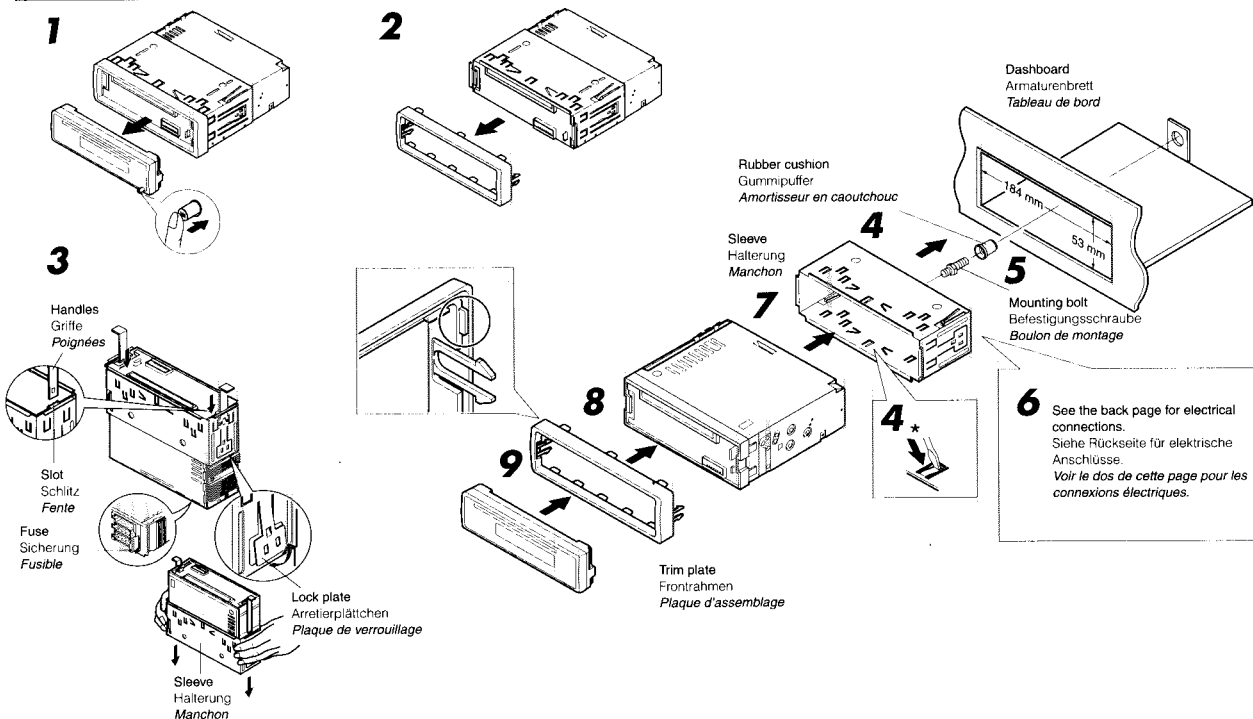
**5** Monter le boulon de montage sur l'arrière du corps de l'appareil puis passer l'amortisseur en caoutchouc sur l'extrémité du boulon.

**6** Réalisez les connexions électriques.

**7** Faire glisser l'appareil dans le manchon jusqu'à ce qu'il soit verrouillé.

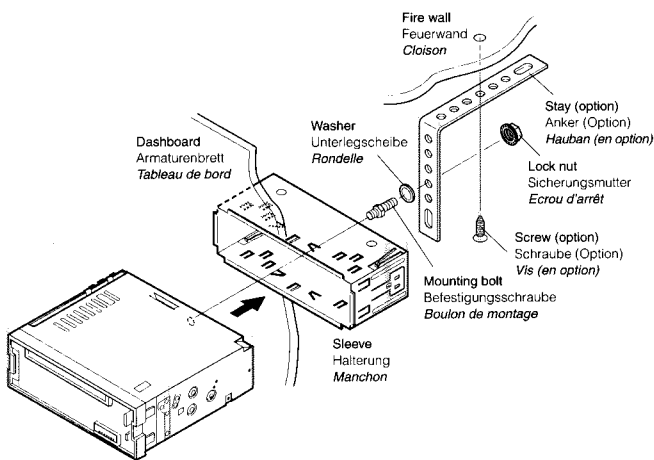
**8** Attacher la plaque d'assemblage de façon que la projection de la plaque soit fixée sur le côté gauche de l'appareil.

**9** Remonter le panneau de commande.



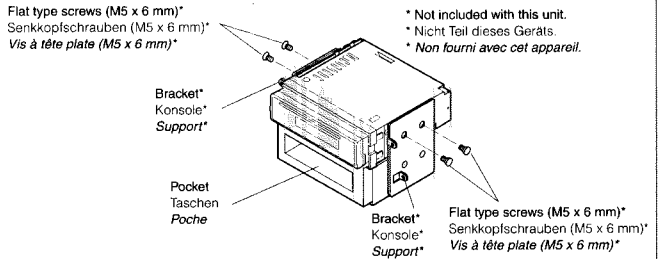
**6** See the back page for electrical connections. Siehe Rückseite für elektrische Anschlüsse. Voir le dos de cette page pour les connexions électriques.

- When using the optional stay
- Beim Verwenden der Anker-Option
- Lors de l'utilisation du hauban en option



- When installing the unit without using the sleeve
- Beim Einbau des Geräts ohne Halterung
- Lors de l'installation de l'appareil sans utiliser de manchon

In a Toyota for example, first remove the car radio and install the unit in its place.  
Zum Beispiel in einem Toyota zuerst das Autoradio ausbauen und dann das Gerät an seinem Platz einbauen.  
Par exemple dans une Toyota, retirer d'abord l'autoradio et installer l'appareil à la place.



**Note:** When installing the unit on the mounting bracket, make sure to use the 6 mm-long screws. If longer screws are used, they could damage the unit.

**Hinweis:** Beim Anbringen des Gerät an der Konsole sicherstellen, daß 6 mm lange Schrauben verwendet werden. Werden längere Schrauben verwendet, können sie das Gerät beschädigen.

**Remarque:** Lors de l'installation de l'appareil sur le support de montage, s'assurer d'utiliser des vis d'une longueur de 6 mm. Si des vis plus longues sont utilisées, elles peuvent endommager l'appareil.

### Removing the unit

- Before removing the unit, release the rear section.

- 1 Remove the control panel.
- 2 Remove the trim plate.
- 3 Insert the 2 handles into the slots, as shown. Then, while gently pulling the handles away from each other, slide out the unit. (Be sure to keep the handles after installing it.)

### Ausbau des Geräts

- Vor dem Ausbau des Geräts den hinteren Teil freigeben.

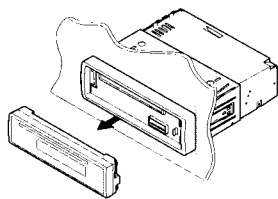
- 1 Die Schalttafel abnehmen.
- 2 Den Frontrahmen abnehmen.
- 3 Die 2 Griffe in die Schlitz wie gezeigt stecken. Dann die Griffe behutsam auseinander ziehen und das Gerät herausziehen. (Die Griffe nach dem Einbau auf jeden Fall aufbewahren.)

### Retrait de l'appareil

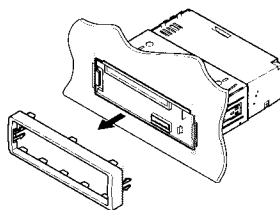
- Avant de retirer l'appareil, libérer la section arrière.

- 1 Retirer le panneau de commande.
- 2 Retirer la plaque d'assemblage.
- 3 Introduire les deux poignées dans les fentes, comme montré. Puis, tout en tirant doucement les poignées écartées, faire glisser l'appareil pour le sortir. (S'assurer de conserver les poignées après l'installation de l'appareil.)

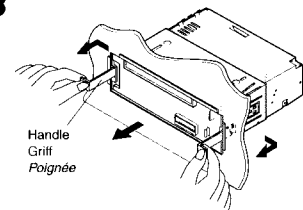
1



2



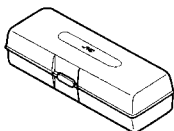
3



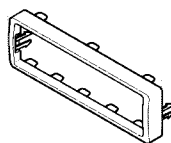
### Parts list for installation and connection

The following parts are provided with this unit.  
After checking them, please set them correctly.

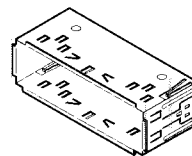
Hard case  
Etui  
Etui de transport



Trim plate  
Frontrahmen  
Plaque d'assemblage



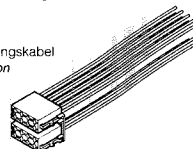
Sleeve  
Halterung  
Manchon



Handles  
Griffe  
Poignées



Power cord  
Spannungsversorgungskabel  
Cordon d'alimentation



Rubber cushion  
Gummipuffer  
Amortisseur en caoutchouc



Lock nut (M5)  
Sicherungsmutter (M5)  
Ecrou d'arrêt (M5)



Mounting bolt (M5 x 20 mm)  
Befestigungsschrauben (M5 x 20 mm)  
Boulon de montage (M5 x 20 mm)



Washer (ø5)  
Unterlegscheibe(ø5)  
Rondelle (ø5)



### Teiliste für den Einbau und Anschluß

Die folgenden Teile werden zusammen mit diesem Gerät geliefert.  
Nach ihrer Überprüfung, die Teile richtig einsetzen.

### Liste des pièces pour l'installation et raccordement

Les pièces suivantes sont fournies avec cet appareil.  
Après vérification, veuillez les placer correctement.

## TROUBLESHOOTING

- **The fuse blows.**
  - \* Are the red and black leads connected correctly?
- **Power cannot be turned on.**
  - \* Is the yellow lead connected?
- **No sound from the speakers.**
  - \* Is the speaker output lead short-circuited?
- **Sound is distorted.**
  - \* Is the speaker output lead grounded?
  - \* Are the "-" terminals of L and R speakers grounded in common?
- **Unit becomes hot.**
  - \* Is the speaker output lead grounded?
  - \* Are the "-" terminals of L and R speakers grounded in common?

## FEHLERSUCHE

- **Die Sicherung brennt durch.**
  - \* Sind die roten und schwarzen Leitungen richtig angeschlossen?
- **Stromversorgung kann nicht eingeschaltet werden.**
  - \* Ist die gelbe Leitung angeschlossen?
- **Kein Ton aus den Lautsprechern.**
  - \* Ist die Lautsprecherausgangsleitung kurzgeschlossen?
- **Ton verzerrt.**
  - \* Ist die Lautsprecherausgangsleitung geerdet?
  - \* Sind die (-) Anschlußklemmen der linken und rechten Lautsprecher zusammen geerdet?
- **Gerät wird heiß.**
  - \* Ist die Lautsprecherausgangsleitung geerdet?
  - \* Sind die (-) Anschlußklemmen der linken und rechten Lautsprecher zusammen geerdet?

## EN CAS DE DIFFICULTÉS

- **Le fusible saute.**
  - \* Les fils rouge et noir sont-ils raccordés correctement?
- **L'appareil ne peut pas être mise sous tension.**
  - \* Le fil jaune est-elle raccordée?
- **Pas de son des haut-parleurs.**
  - \* Le fil de sortie de haut-parleur est-il court-circuité?
- **Le son est déformé.**
  - \* Le fil de sortie de haut-parleur est-il à la masse?
  - \* Les bornes "-" des haut-parleurs gauche et droit sont-elles mises ensemble à la masse?
- **L'appareil devient chaud.**
  - \* Le fil de sortie de haut-parleur est-il à la masse?
  - \* Les bornes "-" des haut-parleurs gauche et droit sont-elles mises ensemble à la masse?

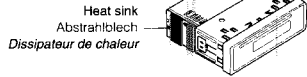
ENGLISH

ELECTRICAL CONNECTIONS

To prevent short circuits, we recommend that you disconnect the battery's negative terminal and make all electrical connections before installing the unit. If you are not sure how to install this unit correctly, have it installed by a qualified technician.

**Note:**  
This unit is designed to operate on **12 volts DC, NEGATIVE ground electrical systems**. If your vehicle does not have this system, a voltage inverter is required, which can be purchased at JVC IN-CAR ENTERTAINMENT dealers.

- Replace the fuse with one of the specified rating. If the fuse blows frequently, consult your JVC IN-CAR ENTERTAINMENT dealer.
- If noise is a problem...  
This unit incorporates a noise filter in the power circuit. However, with some vehicles, clicking or other unwanted noise may occur. If this happens, connect the unit's **rear ground terminal** (See connection diagram below.) to the car's chassis using shorter and thicker cords, such as copper braiding or gauge wire. If noise still persists, consult your JVC IN-CAR ENTERTAINMENT dealer.
- Maximum input of the speakers should be more than 40 watts at the rear and 40 watts at the front, with an impedance of **4 to 8 ohms**.
- **Be sure to ground this unit to the car's chassis.**
- The heat sink becomes very hot after use. Be careful not to touch it when removing this unit.



DEUTSCH

ELEKTRISCHE ANSCHLÜSSE

Zur Vermeidung von Kurzschlüssen empfehlen wir, daß Sie den negativen Batterieanschluß abtrennen und alle elektrischen Anschlüsse herstellen, bevor das Gerät eingebaut wird. Sind Sie sich über den richtigen Einbau des Geräts nicht sicher, lassen Sie es von einem qualifizierten Techniker einbauen.

**Hinweis:**  
Dieses Gerät ist für den Betrieb in **elektrischen Anlagen mit 12 V Gleichstrom und (-) Erdung** ausgelegt. Verfügt Ihr Fahrzeug nicht über diese Anlage, ist ein Spannungsinverter erforderlich, der bei JVC Autoradiohändler erworben werden kann.

- Die Sicherung mit einer der entsprechenden Nennleistung ersetzen. Brennt die Sicherung häufig durch, wenden Sie sich an Ihren JVC Autoradiohändler.
- Sind Störgeräusche ein Problem...  
Dieses Gerät enthält ein Störfilter im Stromkreis. Bei manchen Fahrzeugen kann jedoch ein Klicken oder andere unerwünschte Störgeräusche auftreten. Sollte das der Fall sein, die **hintere Erdungsanschlusssklemme** (siehe Schaltplan unten) des Geräts am Fahrwerk des Fahrzeuges anschließen, dabei kürzere und dickere Kabel wie beispielsweise Kupfergeflecht oder Stahldraht verwenden. Bleibt Störgeräusch bestehen, wenden Sie sich an Ihren JVC Autoradiohändler.
- Maximale Eingangsleistung der Lautsprecher muß höher als 40 W hinten und 40 W vorne sein, mit einer Impedanz von **4 bis 8 Ohm**.
- **Sicherstellen, daß das Gerät am Fahrwerk geerdet wird.**
- Das Abstrahlblech wird nach dem Gebrauch sehr heiß. Beim Ausbau des Geräts darauf achten, das Abstrahlblech nicht zu berühren.

FRANÇAIS

RACCORDEMENTS ELECTRIQUES

Pour éviter tout court-circuit, nous vous recommandons de débrancher la borne négative de la batterie et d'effectuer tous les raccordements électriques avant d'installer l'appareil. Si l'on n'est pas sûr de pouvoir installer correctement cet appareil, le faire installer par un technicien qualifié.

**Remarque:**  
Cet appareil est conçu pour fonctionner sur des sources de courant continu de **12 volts à masse NEGATIVE**. Si votre véhicule n'offre pas ce type d'alimentation, il vous faut un convertisseur de tension, que vous pouvez acheter chez un revendeur d'autoradios JVC.

- Remplacer le fusible par un de la valeur précisée. Si le fusible saute souvent, consulter votre revendeur d'autoradios JVC.
- Si le bruit est un problème...  
Cet appareil incorpore un filtre de bruit dans le circuit d'alimentation. Cependant, avec certains véhicules, quelques claquements ou autres bruits non désirés risquent de se produire. Si cela arrive, raccorder la **borne de masse arrière** de l'appareil au châssis de la voiture (voir le schéma de raccordement ci-dessous) en utilisant des cordons les plus gros et les plus courts possibles telle qu'une barre de cuivre ou une tresse. Si le bruit persiste, consulter votre revendeur d'autoradios JVC.
- La puissance admissible des haut-parleurs doit être supérieure à 40 watts à l'arrière et à 40 watts à l'avant, avec une impédance de **4 à 8 ohms**.
- **S'assurer de raccorder la mise à la masse de cet appareil au châssis de la voiture.**
- Le radiateur devient très chaud après usage. Faire attention de ne pas le toucher en retirant cet appareil.

Typical Connections / Typische Anschlüsse / Raccordements typiques

**Before connecting:** Check the wiring in the vehicle carefully. Incorrect connection may cause serious damage to this unit.

- 1 Connect the colored leads of the power cord to the car battery, speakers and power aerial (if any) in the following sequence.
  - 1 Black: ground
  - 2 Yellow: to car battery (constant 12V)
  - 3 Red: to an accessory terminal
  - 4 Blue with white stripe: to power aerial (200mA max.)
  - 5 Brown: to cellular phone system (For details, refer to the instructions of the cellular phone.)
  - 6 Others: to speakers
- 2 Connect the antenna cord.
- 3 Finally connect the wiring harness to the unit.

**Note:** If your vehicle does not have any accessory terminal, move the fuse from the fuse position 1 (initial position) to fuse position 2, and connect the red lead (A7) to the positive (+) battery terminal.  
• The yellow lead (A4) is not used in this case.

**Vor dem Anschließen:** Die Verdrahtung im Fahrzeug sorgfältig überprüfen. Falsche Anschlüsse können ernsthafte Schäden am Gerät hervorrufen.

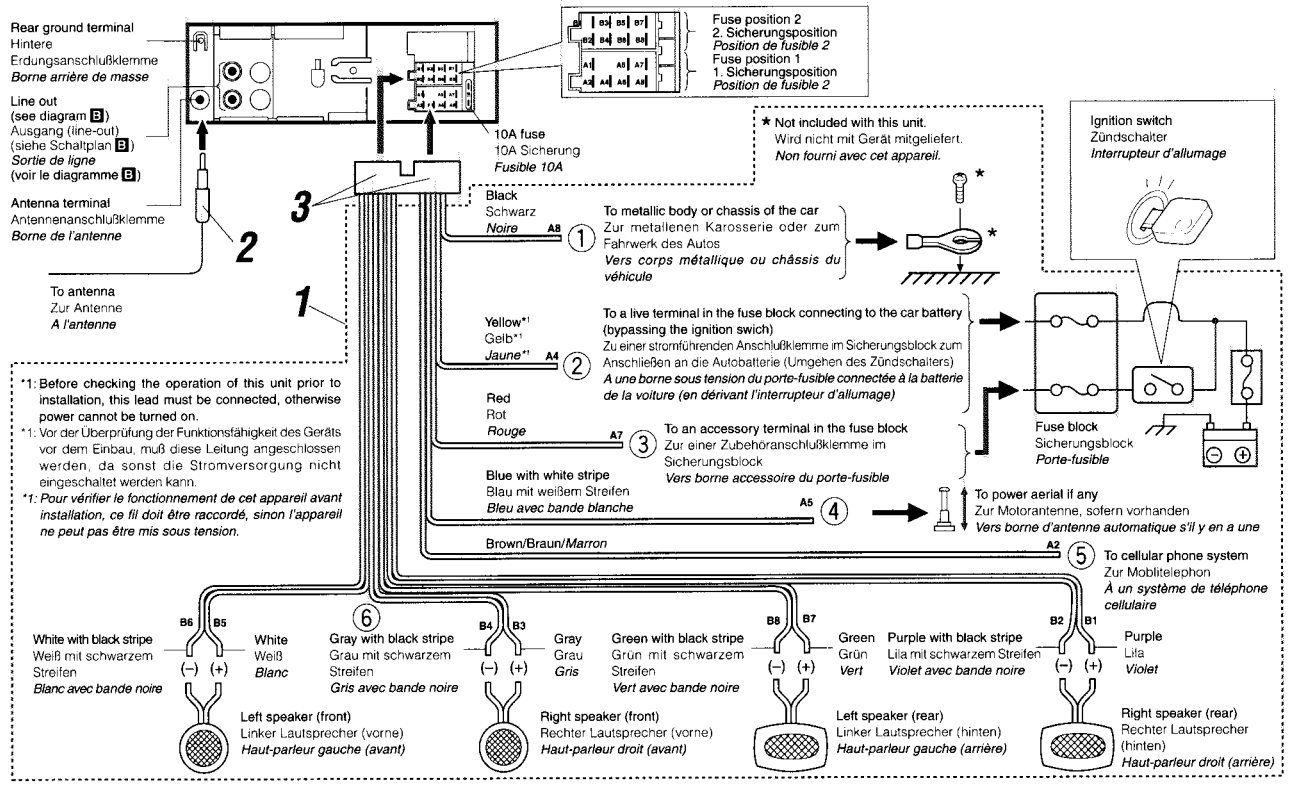
- 1 Die farbigen Leitungen des Spannungsversorgungskabels an der Autobatterie, den Lautsprechern und dem Motorantenne (sofern vorhanden) in folgender Reihenfolge anschließen.
  - 1 Schwarz: Erdung
  - 2 Gelb: an Autobatterie (konstant 12 V)
  - 3 Rot: an Zubehöran schlusssklemme
  - 4 Blau mit weißem Streifen: an Motorantenne (200mA maximale)
  - 5 Braun: an Mobiltelefon (Weitere Informationen entnehmen Sie bitte der Bedienungsanleitung des Mobiltelefons.)
  - 6 Andere: an Lautsprecher
- 2 Das Antennenkabel anschließen.
- 3 Die Kabelbäume am Gerät anschließen.

**Hinweis:** Verfügt Ihr Fahrzeug nicht über eine Zubehöran schlusssklemme, die Sicherung von der 1. Sicherungsposition (Erstposition) in die 2. Sicherungsposition versetzen, die rote Leitung (A7) an der (+) Batterieanschlusssklemme anschließen.  
• Die gelbe Leitung (A4) wird in diesem Fall nicht verwendet.

**Avant de commencer la connexion:** vérifiez attentivement le câblage du véhicule. Une connexion incorrecte peut endommager sérieusement l'appareil.

- 1 Connectez les fils de couleur du cordon d'alimentation à la batterie de la voiture, aux enceintes et à l'antenne automatique (s'il y en a une) dans l'ordre suivant.
  - 1 Noir: à la masse
  - 2 Jaune: à la batterie de la voiture (12V constant)
  - 3 Rouge: à la prise accessoire
  - 4 Bleu à bandes blanches: à l'antenne automatique (200mA maximum)
  - 5 Marron: à un système de téléphone cellulaire (Pour les détails, se référer aux instructions du téléphone cellulaire.)
  - 6 Autres: aux enceintes
- 2 Connectez le cordon d'antenne.
- 3 Finalement, connectez le faisceau de fils à l'appareil.

**Remarque:** Si votre véhicule ne possède pas de borne accessoire, déplacez le fusible de la position de fusible 1 (position originale) à la position de fusible 2 et connectez le fil rouge (A7) à la borne positive (+) de la batterie.  
• Le fil jaune (A4) n'est pas utilisé dans ce cas.



**PRECAUTIONS on power supply and speaker connections:**

- DO NOT connect the speaker leads of the power cord to the car battery; otherwise, the unit will be seriously damaged.
- Connect the black lead (ground), yellow lead (to car battery, constant 12V), and red lead (to an accessory terminal) correctly.
- BEFORE connecting the speaker leads of the power cord to the speakers, check the speaker wiring in your car.
- If the speaker wiring in your car is as illustrated in Fig. 1 and Fig. 2 below, DO NOT connect the unit using that original speaker wiring. If you do, the unit will be seriously damaged. Redo the speaker wiring so that you can connect the unit to the speakers as illustrated in Fig. 3.
- If the speaker wiring in your car is as illustrated in Fig. 3, you can connect the unit using the original speaker wiring in your car.
- If you are not sure of the speaker wiring of your car, consult your car dealer.

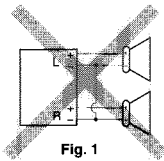


Fig. 1

**VORSICHTSMASSREGELN beim Anschließen der Stromversorgung und Lautsprecher:**

- Die Lautsprecherleitungen des Netzkabels NICHT an der Autobatterie anschließen, da sonst das Gerät schwer beschädigt wird.
- Die schwarze Leitung (Erdung), die gelbe Leitung (zur Autobatterie, konstant 12 V) und die rote Leitung (zur Zubehöransteckklammer) richtig anschließen.
- VOR dem Anschließen der Lautsprecherleitungen des Spannungsversorgungskabels an die Lautsprecher, die Lautsprecherverdrahtung in Ihrem Auto überprüfen.
- Ist die Lautsprecherverdrahtung wie unten in "Fig. 1" und "Fig. 2" abgebildet, das Gerät NICHT mit der Originalverdrahtung der Lautsprecher anschließen, da sonst das Gerät schwer beschädigt wird. Die Lautsprecherverdrahtung erneuern, so daß Sie das Gerät an den Lautsprechern wie in "Fig. 3" abgebildet anschließen können.
- Ist die Lautsprecherverdrahtung in Ihrem Auto wie in "Fig. 3" abgebildet, können Sie das Gerät mit der Originalverdrahtung der Lautsprecher in Ihrem Auto anschließen.
- Sind Sie sich über die Lautsprecherverdrahtung in Ihrem Auto nicht sicher, wenden Sie sich an Ihren Autohändler.

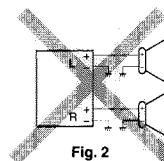


Fig. 2

**PRECAUTIONS sur l'alimentation et la connexion des enceintes:**

- NE CONNECTEZ PAS les fils d'enceintes du cordon d'alimentation à la batterie; sinon, l'appareil serait sérieusement endommagé.
- Connectez correctement le fil noir (à la masse), le fil jaune (à la batterie de la voiture, 12V constant) et le fil rouge (à la prise accessoire).
- AVANT de connecter les fils d'enceintes du cordon d'alimentation aux enceintes, vérifiez le câblage des enceintes de votre voiture.
- Si le câblage des enceintes de votre voiture est réalisé comme montré sur la Fig. 1 ou Fig. 2 ci-dessous, NE CONNECTEZ PAS l'appareil en utilisant ce câblage original d'enceintes. Si vous le faites, l'appareil sera sérieusement endommagé. Recommencez le câblage des enceintes de façon que vous puissiez connecter l'appareil aux enceintes comme montré sur la Fig. 3.
- Si le câblage des enceintes de votre voiture est comme montré sur la Fig. 3, vous pouvez connecter l'appareil en utilisant ce câblage original d'enceintes pour votre voiture.
- Si vous n'êtes pas sûrs du câblage d'enceintes de votre voiture, consultez le concessionnaire de votre voiture.

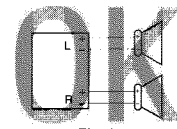


Fig. 3

**Connecting the leads / Anschließen der Leitungen / Raccordement des fils**

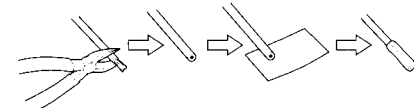
Twist the core wires when connecting.  
Die Kerndrähte beim Anschließen verdrehen.  
Torsader les âmes des fils en les raccordant.



Solder the core wires to connect them securely.  
Die Kerndrähte anlöten, um sie fest anzuschließen.  
Souder les âmes des fils pour les raccorder entre eux de façon sûre.

**CAUTION / VORSICHT/ PRECAUTION:**

- To prevent short-circuit, cover the terminals of the UNUSED leads with insulating tape.
- Zur Vermeidung eines Kurzschlusses die Anschlussklemmen der NICHT VERWENDETEN Leitungen mit Isolierklebeband umwickeln.
- Pour éviter les court-circuits, couvrir les bornes des fils qui ne sont PAS utilisés avec de la bande isolante



**Connections Adding Other Equipment / Anschlüsse zum Hinzufügen von anderer Ausrüstung / Raccordement pour ajouter d'autres appareils**

Since this unit has line-out terminals, an amplifier and other equipment can be used to upgrade your car stereo system.

- Connect the remote lead (blue with white stripe) to the remote lead of the other equipment so that it can be controlled through this unit.
- For amplifier only:
  - Connect this unit's line-out terminals to the amplifier's line-in terminals.
  - Disconnect the speakers from this unit, connect them to the amplifier. Leave the speakers leads of this unit unused. (Cover the terminals of these unused leads with insulating tape, as illustrated above.)

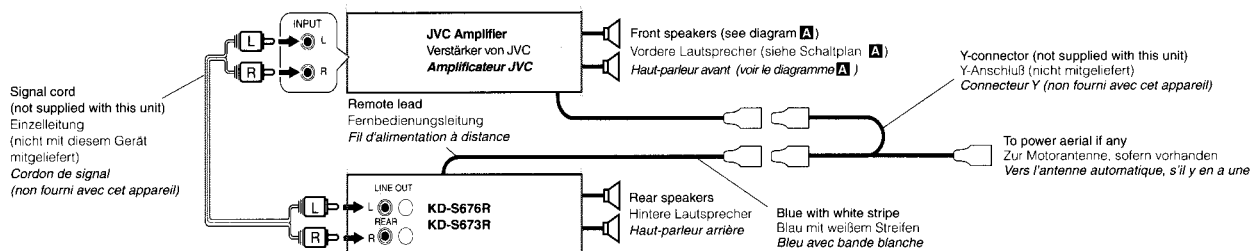
Da dieses Gerät Anschlussklemmen am Ausgang (line-out) hat, können ein Verstärker und andere Ausrüstung zur Aufwertung Ihrer Autostereoanlage verwendet werden.

- Schließen Sie das Fernbedienungskabel (blau mit weißem Streifen) an das Fernbedienungskabel des anderen Geräts an, so daß es über dieses Gerät gesteuert werden kann.
- Nur für den Verstärker:
  - Die Anschlussklemmen am Ausgang (line-out) dieses Gerät an den Anschlussklemmen des Ausgangs (line-out) des Verstärkers anschließen.
  - Die Lautsprecher von diesem Gerät abtrennen und am Verstärker anschließen. Die Lautsprecherleitungen dieses Geräts unbenutzt lassen. (Die Anschlussklemmen dieser nicht verwendeten Leitungen mit Isolierband umwickeln, siehe Abb. oben.)

Comme cet appareil a des bornes de sortie de ligne, un amplificateur et d'autres appareils peuvent être utilisés pour améliorer votre chaîne stéréo automobile.

- Connectez le fil de commande (bleu avec bande blanche) au fil de commande à distance de l'autre appareil de façon qu'il puisse être commandé via cet appareil.
- Pour l'amplificateur seulement:
  - Raccorder les bornes de sortie ligne de cet appareil aux bornes d'entrée ligne de l'amplificateur.
  - Déconnectez les enceintes de cet appareil et connectez-les à l'amplificateur. Laissez les fils d'enceintes de cet appareil inutilisés. (Recouvrir les extrémités de ces fils inutilisés avec de la bande isolante comme montré ci-dessus.)

**Amplifier / Verstärker / Amplificateur**



**CAUTION / VORSICHT/ PRECAUTION:**

- To prevent internal heat buildup inside this unit, place this unit UNUSED the other equipment.
- Zur Vermeidung eines Hitzestaus in diesem Gerät, dieses Gerät UNTER die andere Geräteanrüstung stellen.
- Pour éviter un échauffement interne de cet appareil, placez-le SOUS l'autre appareil.

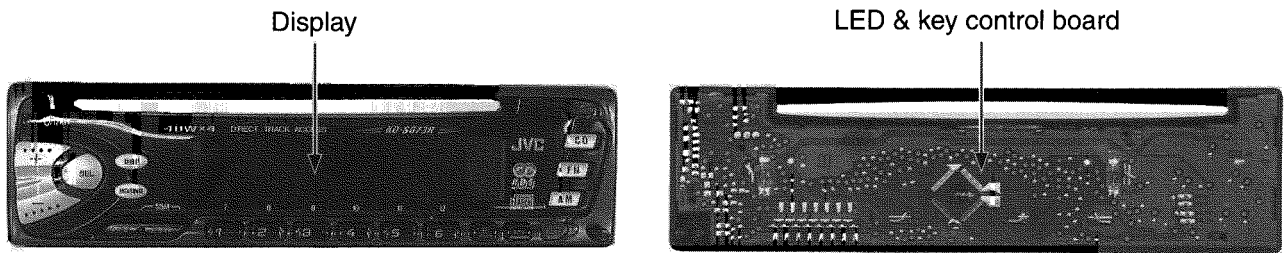
KD-S676R/KD-S673R

**-MEMO-**

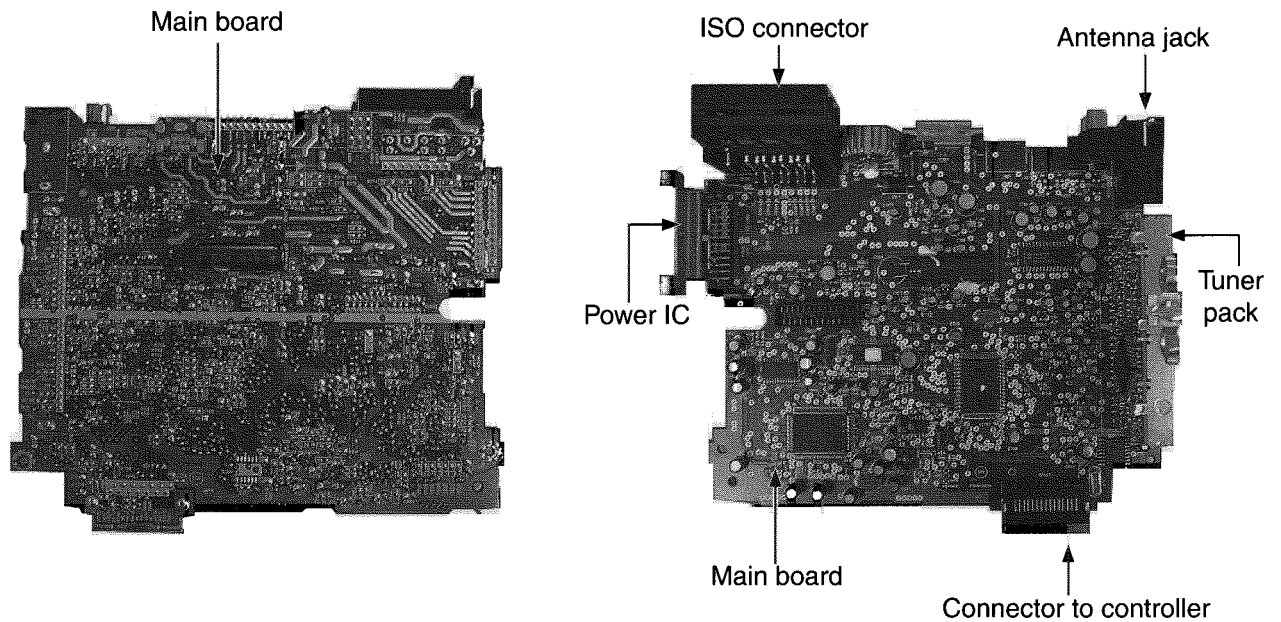


## Location of main parts

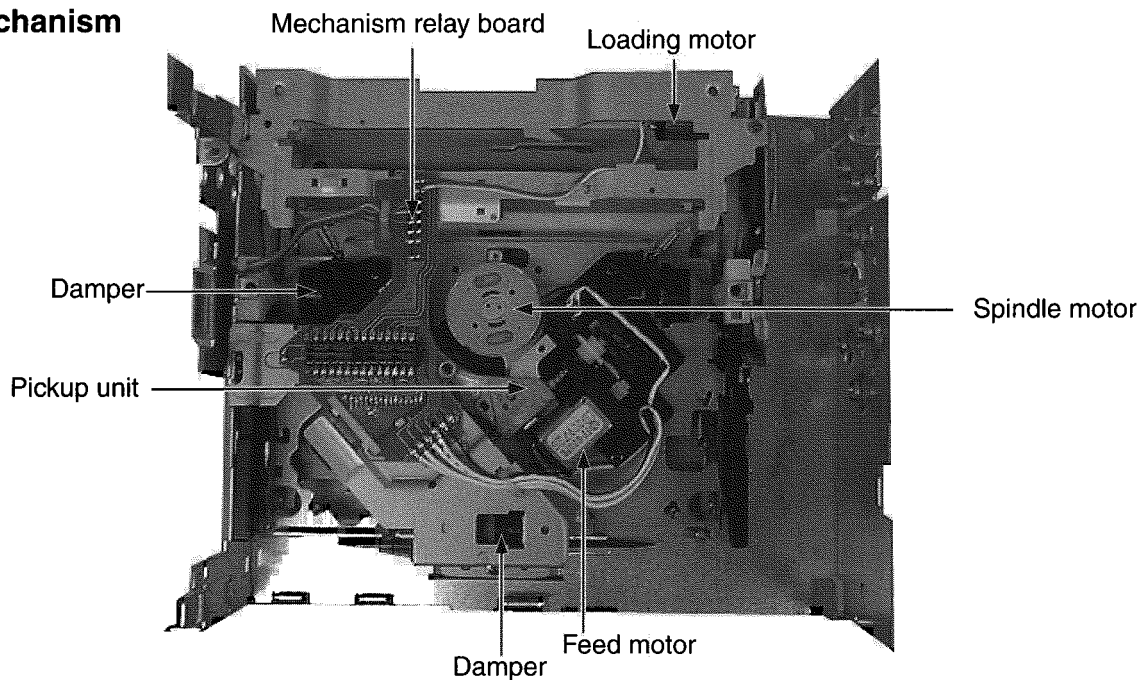
### ■ Control unit



### ■ Main unit



### ■ CD mechanism



## Disassembly method

### ■ Removing the front panel unit

(See Fig.1)

1. Press the release button and remove the front panel unit in the direction of the arrow.



Fig.1

### ■ Removing the front chassis (See Fig.2)

1. Insert a screwdriver to the joints a on the side of the front chassis and two joints b on the right side, then detach the front chassis toward the front side.

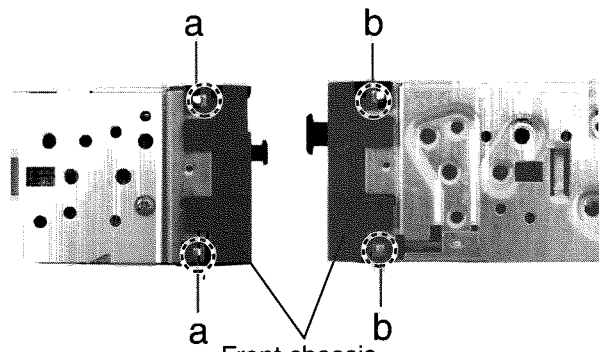


Fig.2

### ■ Removing the heat sink (See Fig.3)

1. Remove the three screws A attaching the heat sink on the left side of the body, and remove the heat sink.

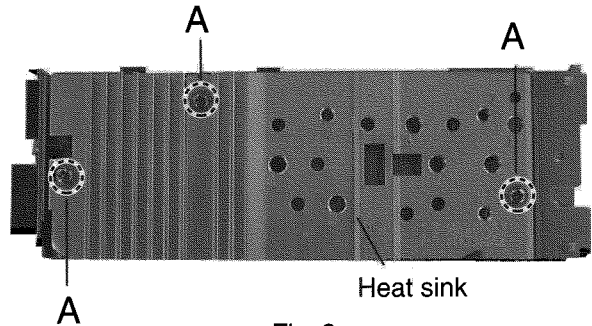


Fig. 3

### ■ Removing the bottom cover (See Fig.4)

1. Turn the body upside down.
2. Insert a screwdriver to the two joints c and two joints d on both sides of the body and the joint e on the back of the body, then detach the bottom cover from the body.

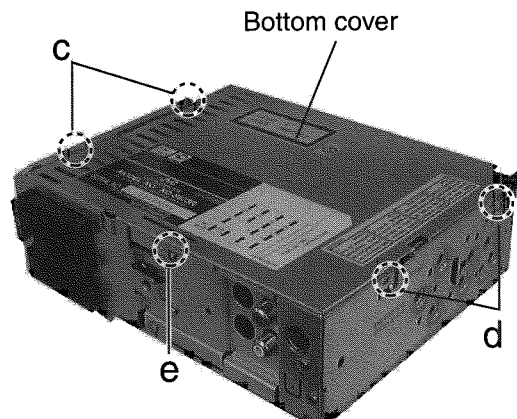


Fig. 4

**■ Removing the main amplifier board  
(See Fig.5 and 6)**

1. Remove the front chassis.
2. Remove the bottom cover.
3. Remove the two screws B attaching the main amplifier board assembly on the bottom of the body.
4. Remove the three screws C attaching the main amplifier board assembly on the back of the body.
5. Disconnect connector CN501 on the main amplifier board assembly from the CD mechanism assembly.

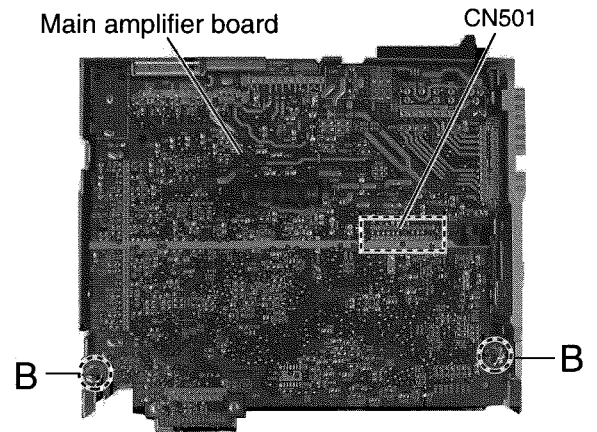


Fig.5

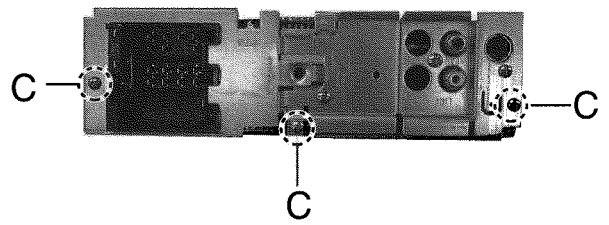


Fig. 6

**■ Removing the CD mechanism assembly  
(See Fig.7)**

1. Remove the front chassis.
2. Remove the bottom cover.
3. Remove the main amplifier board assembly.
4. Remove the three screws D attaching the CD mechanism assembly from the top cover.

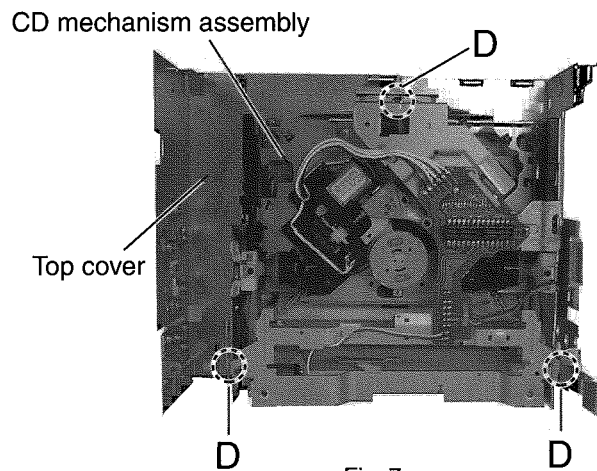


Fig. 7

**■ Removing the control switch board  
(See Fig.8 and 9)**

1. Remove the front chassis.
2. Remove the four screws E attaching the rear cover on the back of the front panel unit.
3. Remove the control switch board from the front panel unit.

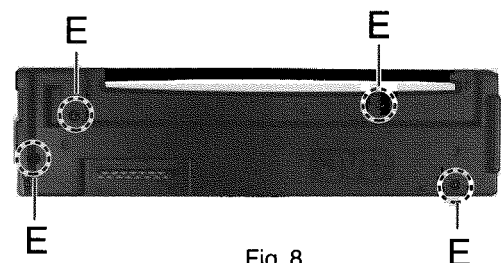


Fig. 8

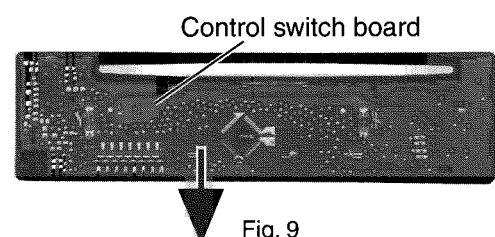


Fig. 9

**<CD mechanism section>**

- Prior to disassembling the CD mechanism, remove the following parts.
- The front panel unit and the front chassis (Refer to Fig.1 and 2)
- The heat sink (Refer to Fig.3)
- The bottom cover (Refer to Fig.4)
- The main amplifier board (Refer to Fig.5 and 6)
- The CD mechanism assembly (Refer to Fig.7)

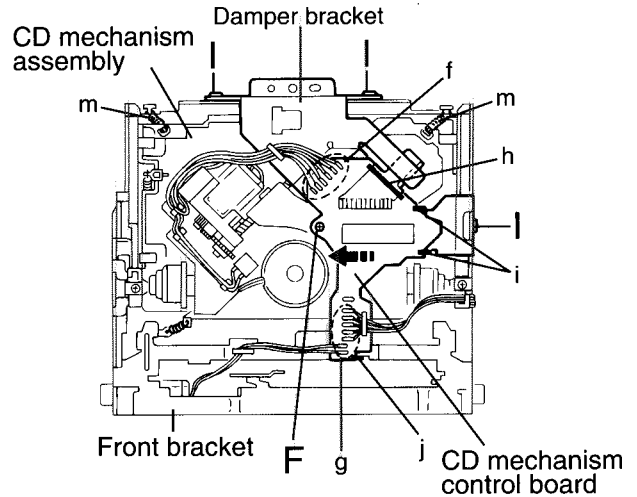


Fig.10

**■ Removing the CD mechanism control board(See Fig.10 and 11)**

1. Unsolder the part f and g on the CD mechanism control board.
2. Remove the stator fixing the CD mechanism control board and the damper bracket (To remove the stator smoothly, pick up the center part).

Remove the screw F attaching the CD mechanism control board.

Remove the CD mechanism control board in the direction of the arrow while releasing it from the two damper bracket slots i and the front bracket slot j.

Disconnect the flexible wire from connector on the pickup unit.

**ATTENTION:** Turn the FD gear in the direction of the arrow to move the entire pickup unit to the appropriate position where the flexible wire of the CD mechanism unit can be disconnected easily (Refer to Fig.11).

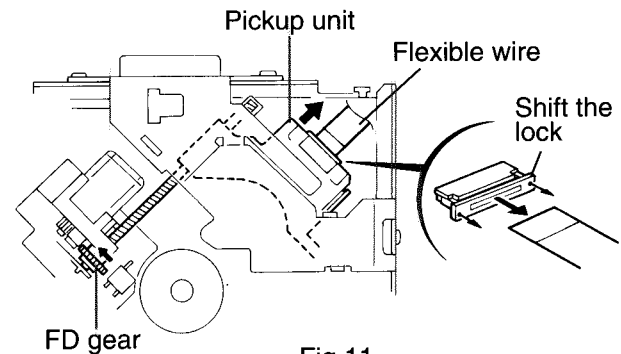


Fig.11

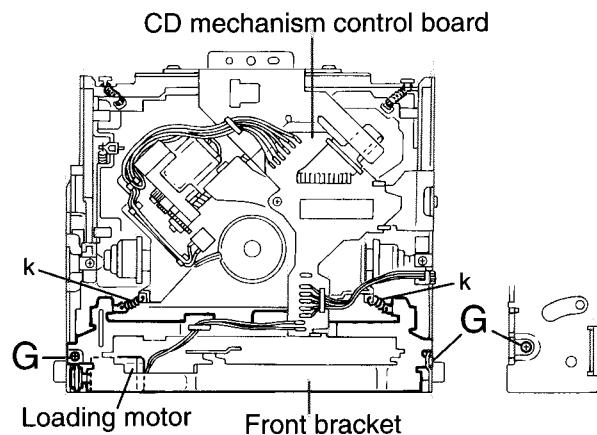


Fig.12

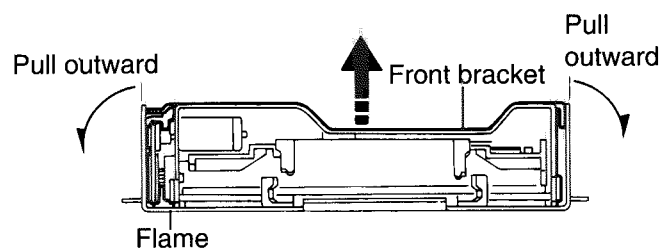


Fig.13

**■ Removing the loading motor  
(See Fig.12 to 14)**

\* Prior to performing the following procedure, remove the CD mechanism control board.

1. Remove the two springs k attaching the CD mechanism ass'y and the front bracket.
2. Remove the two screws G and the front bracket while pulling the flame outward.
3. Remove the belt and the screw H from the loading motor.

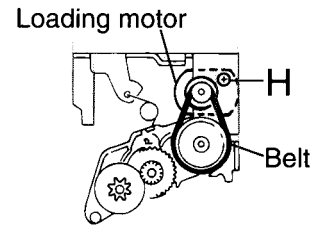


Fig.14

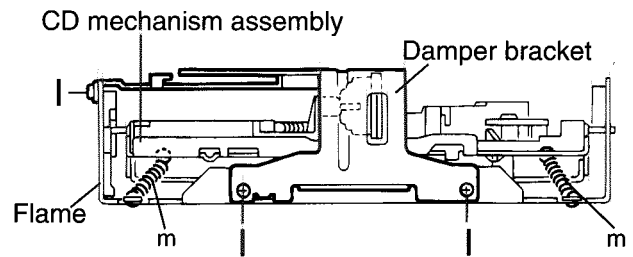


Fig.15

**■ Removing the CD mechanism ass'y  
(See Fig.10, 15 to 18)**

\* Prior to performing the following procedure, remove the CD mechanism control PWB and the front bracket (loading motor).

1. Remove the three screws I and the damper bracket.
2. Raise the both sides fix arms and move the fix plates in the direction of the arrow to place the four shafts I as shown in Fig.17 and 18.
3. Remove the CD mechanism ass'y and the two springs m attaching the flame.
4. Remove the two screws J and both sides rear damper brackets from the dampers. Detach the CD mechanism ass'y from the left side to the right side.

**ATTENTION:** The CD mechanism ass'y can be removed if only the rear damper bracket on the left side is removed.

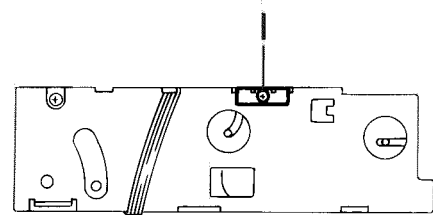


Fig.16

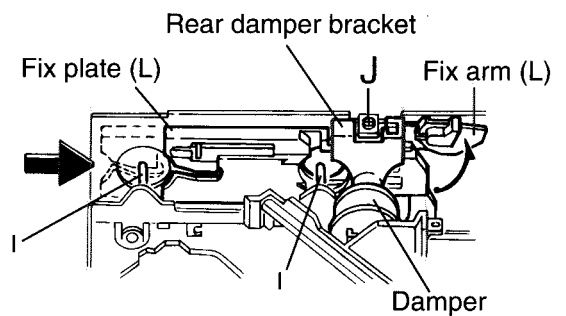


Fig.17

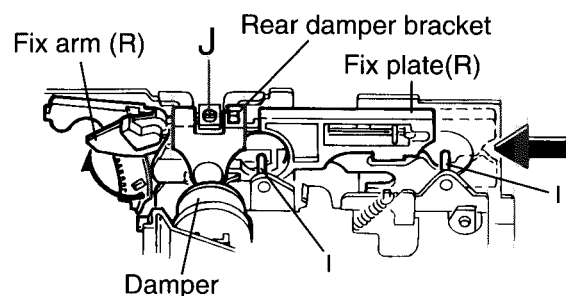


Fig.18

**■ Removing the feed motor assembly  
(See Fig.19)**

\* Prior to performing the following procedure, remove the CD mechanism control board, the front bracket (loading motor) and the CD mechanism ass'y.

1. Remove the two screws K and the feed motor ass'y.

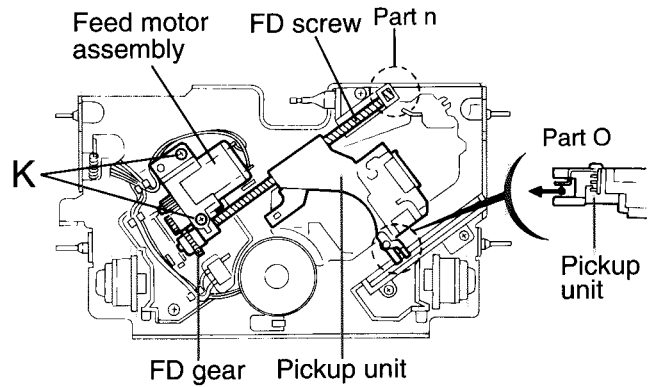


Fig.19

**■ Removing the pickup unit  
(See Fig.19 and 20)**

\* \*Prior to performing the following procedure, remove the CD mechanism control board, the front bracket (loading motor), the CD mechanism ass'y and the feed motor ass'y.

1. Detach the FD gear part of the pickup unit upward. Then remove the pickup unit while pulling out the part n of the FD screw.

ATTENTION: When reattaching the pickup unit, reattach the part o of the pickup unit, then the part n of the FD screw.

2. Remove the screw L attaching the nut push spring plate and the pickup mount nut from the pickup unit. Pull out the FD screw.

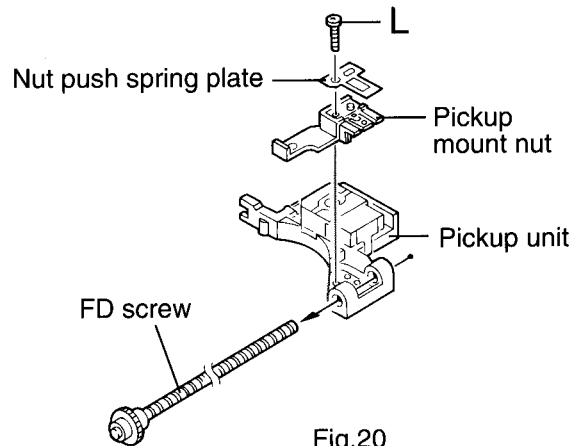


Fig.20

**■ Removing the spindle motor  
(See Fig.21 and 22)**

\* Prior to performing the following procedure, remove the CD mechanism control board, the front bracket (loading motor), the CD mechanism ass'y and the feed motor ass'y.

1. Turn up the CD mechanism ass'y and remove the two springs p on both sides of the clamber arms. Open the clamber arm upward.
2. Turn the turn table, and remove the two screws M and the spindle motor.

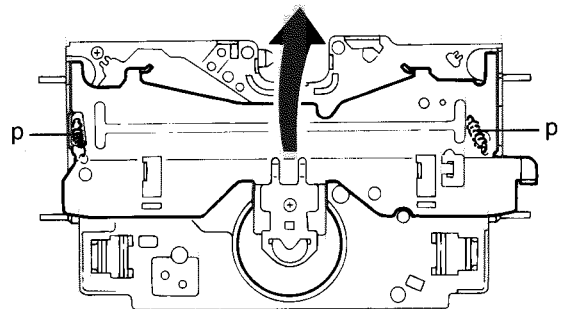


Fig.21

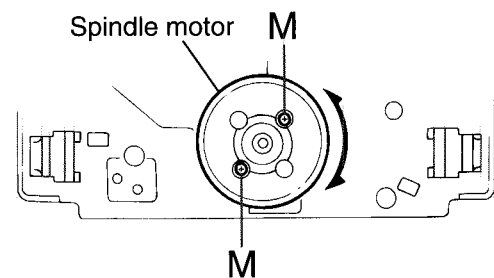


Fig.22

## Adjustment method

### ■ Test instruments required for adjustment

1. Digital oscilloscope (100MHz)
2. AM Standard signal generator
3. FM Standard signal generator
4. Stereo modulator
5. Electric voltmeter
6. Digital tester
7. Tracking offset meter
8. Test Disc JVC :CTS-1000
9. Extension cable for check  
EXTGS004-26P× 1

### ■ Standard volume position

Balance and Bass & Treble volume : Indication "0"  
Loudness : OFF  
BBE : OFF

### ■ Frequency Band

FM 87.5MHz ~ 108.0MHz  
MW 522kHz ~ 1620 kHz  
LW 144kHz ~ 279kHz

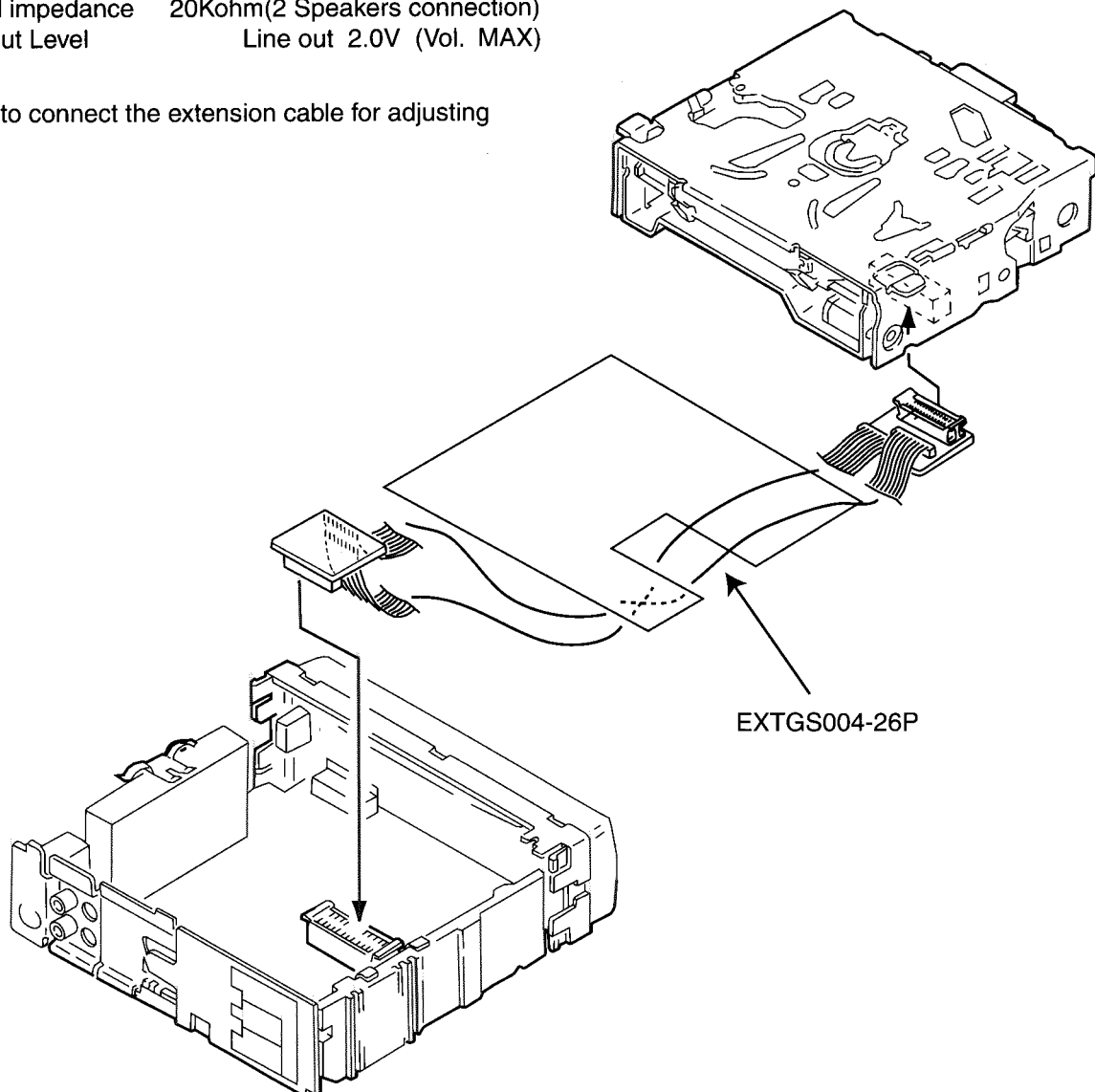
### ■ Dummy load

Exclusive dummy load should be used for AM, and FM. For FM dummy load, there is a loss of 6dB between SSG output and antenna input. The loss of 6dB need not be considered since direct reading of figures are applied in this working standard.

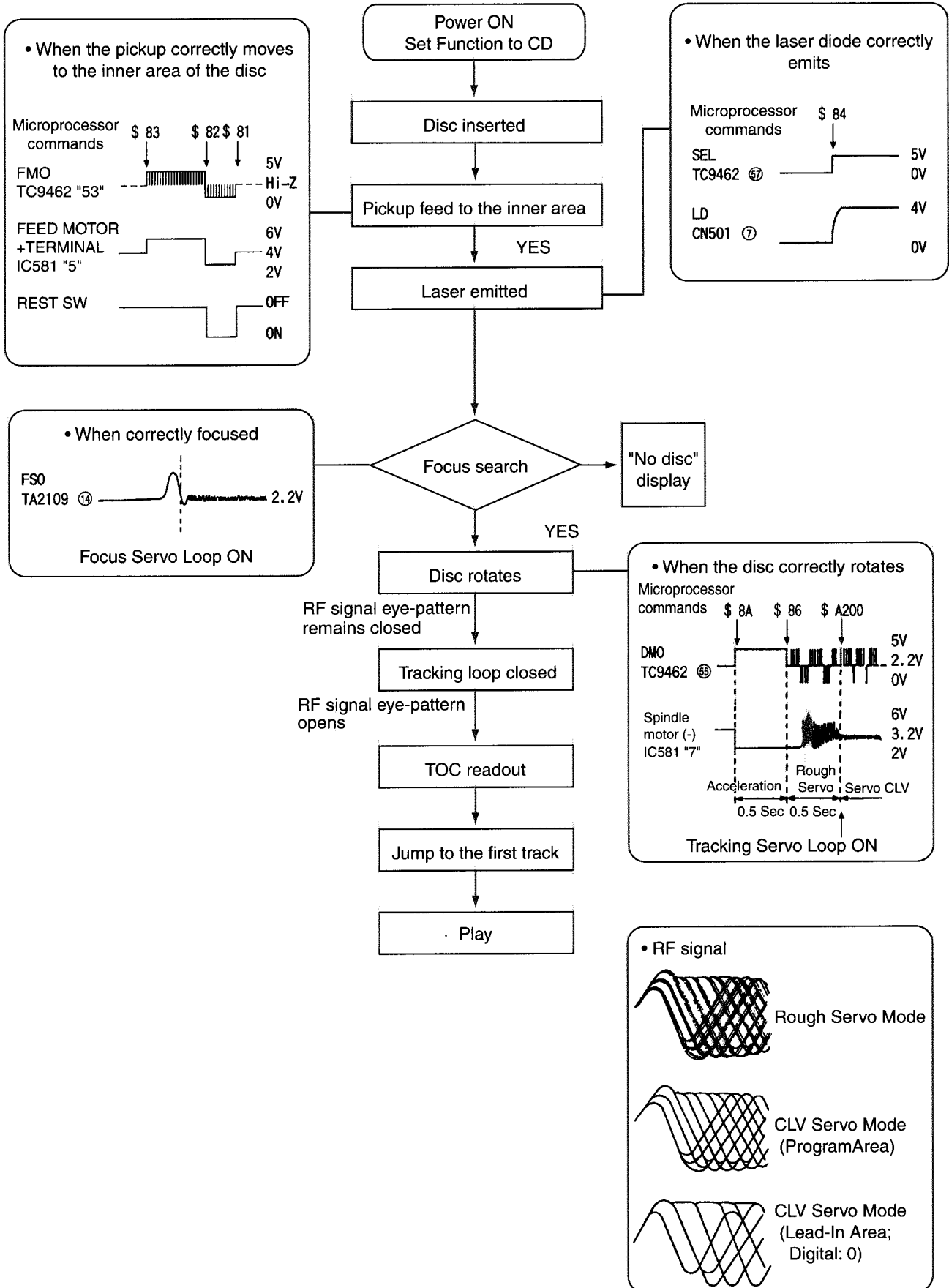
### ■ Standard measuring conditions

Power supply voltage DC14.4V(10.5~16V)  
Load impedance 20Kohm(2 Speakers connection)  
Output Level Line out 2.0V (Vol. MAX)

### ■ How to connect the extension cable for adjusting

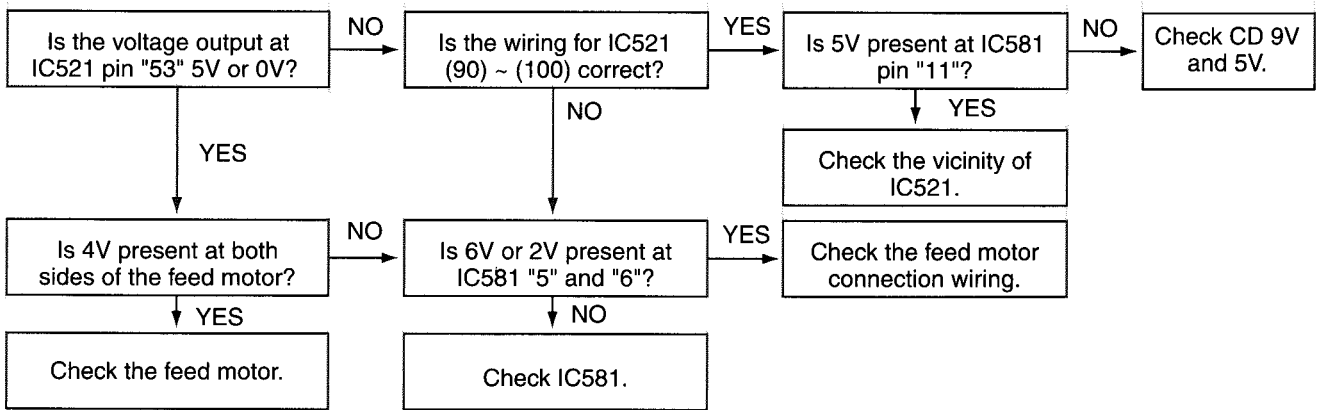


# Flow of functional operation until TOC read

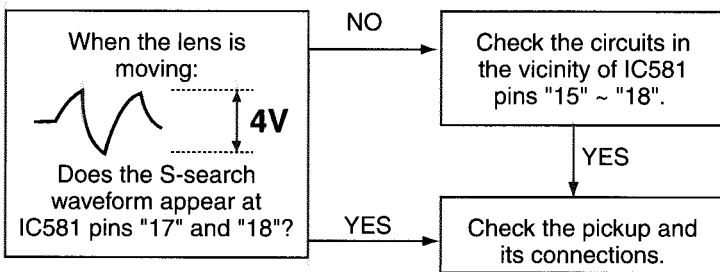




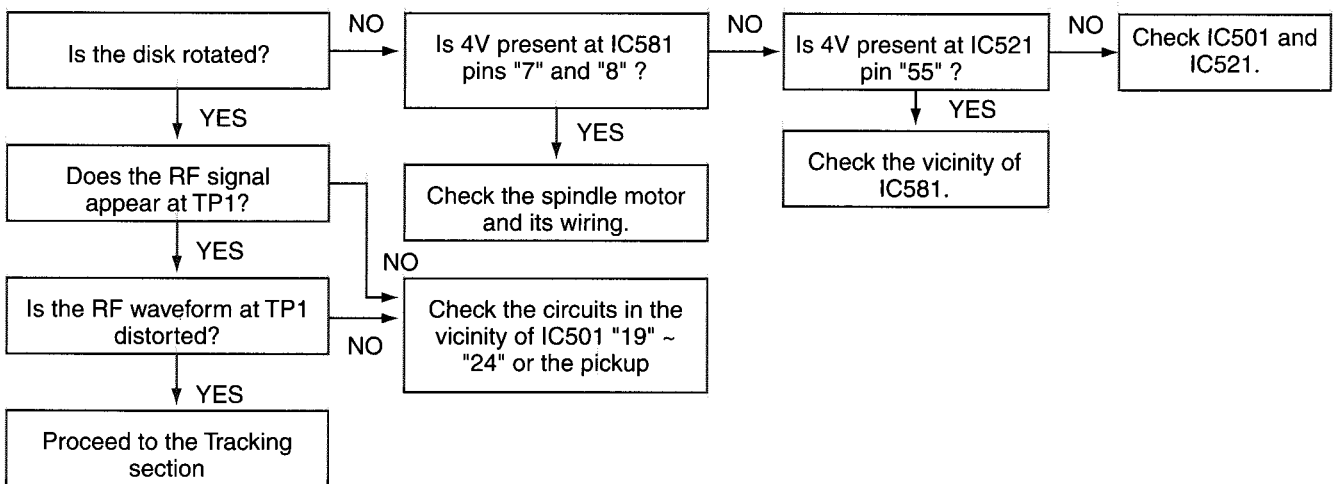
**■ Feed Section**



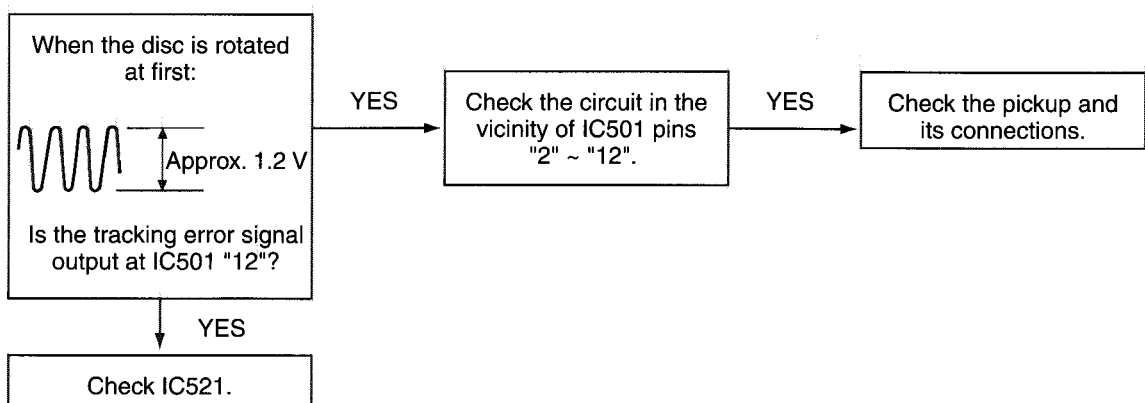
**■ Focus Section**



**■ Spindle Section**

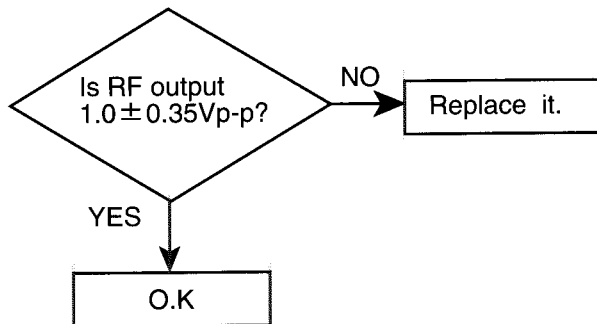


**■ Tracking Section**



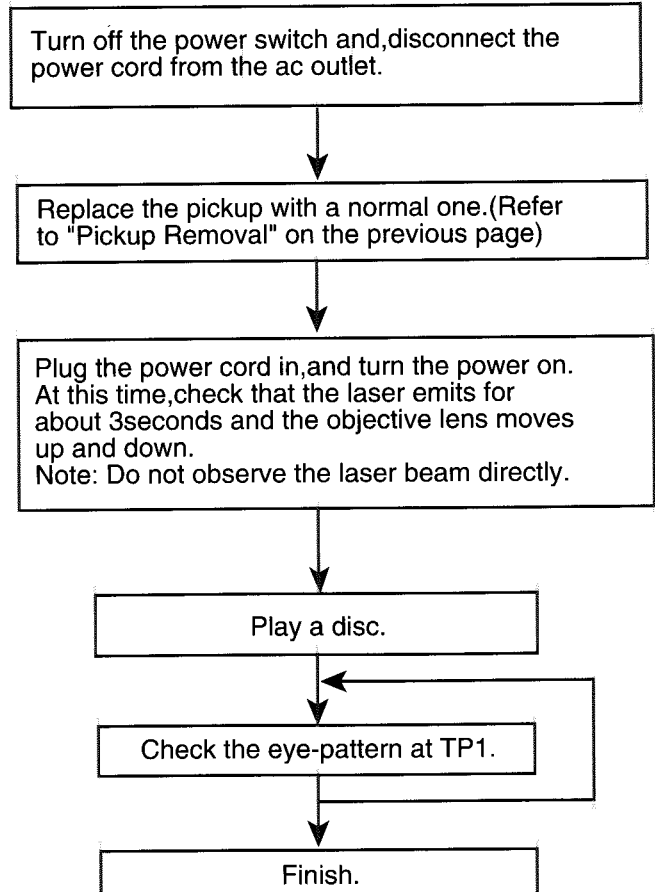
## Maintenance of laser pickup

- (1) Cleaning the pick up lens  
Before you replace the pick up, please try to clean the lens with a alcohol soaked cotton swab.
- (2) Life of the laser diode  
When the life of the laser diode has expired, the following symptoms will appear.
  - (1) The level of RF output (EFM output:amplitude of eye pattern) will be low.



- (3) Semi-fixed resistor on the APC PC board  
The semi-fixed resistor on the APC printed circuit board which is attached to the pickup is used to adjust the laser power. Since this adjustment should be performed to match the characteristics of the whole optical block, do not touch the semi-fixed resistor. If the laser power is lower than the specified value, the laser diode is almost worn out, and the laser pickup should be replaced. If the semi-fixed resistor is adjusted while the pickup is functioning normally, the laser pickup may be damaged due to excessive current.

## Replacement of laser pickup



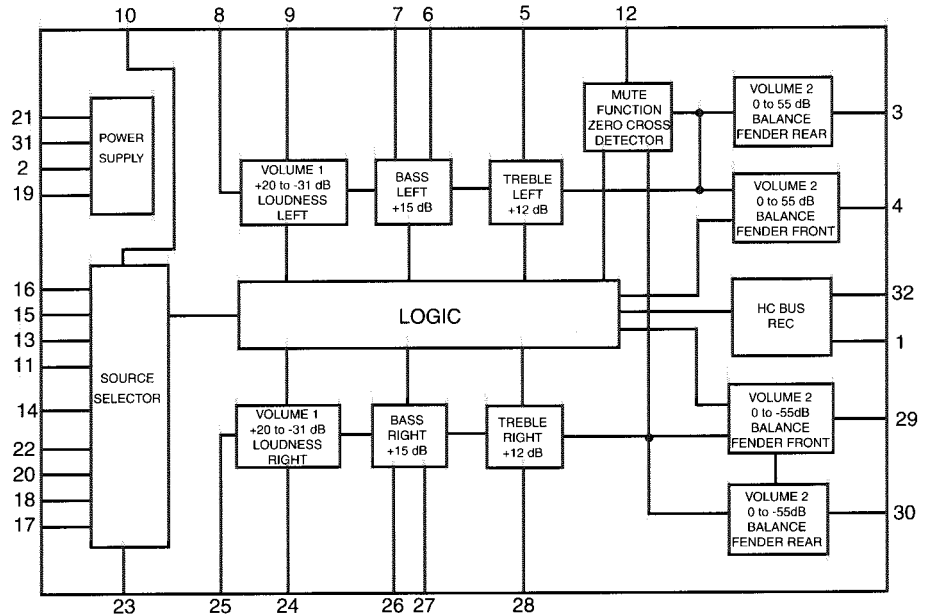
# Description of major ICs

## TEA6320T-X (IC161) : E.volume

### 1.Pin Layout

SDA	1	32	SCL
GND	2	31	VCC
OUTLR	3	30	OUTRR
OUTLF	4	29	OUTRF
TL	5	28	TR
B2L	6	27	B2R
B1L	7	26	B1R
IVL	8	25	IVR
ILL	9	24	ILR
QSL	10	23	QSR
IDL	11	22	IDR
MUTE	12	21	Vref
ICL	13	20	ICR
IMD	14	19	CAP
IBL	15	18	IBR
IAL	16	17	IAR
			CD-CH
			TAPE
			TUNER

### 2.Block Diagram

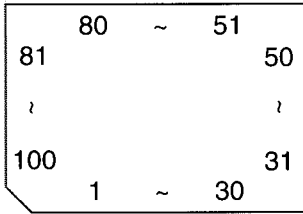


### 3.Pin Functions

Pin No.	Symbol	I/O	Functions	Pin No.	Symbol	I/O	Functions
1	SDA	I/O	Serial data input/output.	17	IAR	I	Input A right source.
2	GND	-	Ground.	18	IBR	I	Input B right source.
3	OUTLR	O	output left rear.	19	CAP	-	Electronic filtering for supply.
4	OUTLF	O	output left front.	20	ICR	I	Input C right source.
5	TL	I	Treble control capacitor left channel or input from an external equalizer.	21	Vref	-	Reference voltage (0.5Vcc)
6	B2L	-	Bass control capacitor left channel or output to an external equalizer.	22	IDR	-	Not used
7	B1L	-	Bass control capacitor left channel.	23	QSR	O	Output source selector right channel.
8	IVL	I	Input volume 1. left control part.	24	ILR	I	Input loudness right channel.
9	ILL	I	Input loudness. left control part.	25	IVR	I	Input volume 1. right control part.
10	QSL	O	Output source selector. left channel.	26	B1R	-	Bass control capacitor right channel
11	IDL	-	Not used	27	B2R	O	Bass control capacitor right channel or output to an external equalizer.
12	MUTE	-	Not used	28	TR	I	Treble control capacitor right channel or input from an external equalizer.
13	ICL	I	Input C left source.	29	OUTRF	O	Output right front.
14	IMO	-	Not used	30	OUTRR	O	Output right rear.
15	IBL	I	Input B left source.	31	Vcc	-	Supply voltage.
16	IAL	I	Input A left source.	32	SCL	I	Serial clock input.

■ TC9462F (IC541) : DSP & DAC

1.Pin Layout



2.Pin Function (1/2)

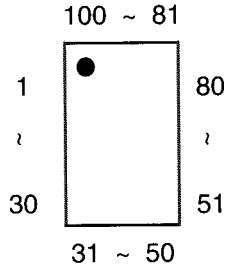
Pin No.	Symbol	I/O	Function
1	TEST0	I	Test mode terminal. Normally, keep at open
2	HSO	O	Playback speed mode flag output terminal
3	UHSO	O	Playback speed mode flag output terminal
4	EMPH	O	Sub code Q data emphasis flag output terminal. "H"=ON "L"=OFF
5	LRCK	O	Channel clock output terminal.(44.1kHz) "H"=Rch "L"=Lch
6	Vss	-	Digital GND terminal
7	BCK	O	Bit clock output terminal. (1.4122MHz)
8	AOUT	O	Audio data output terminal
9	DOUT	O	Digital data output terminal
10	MBOV	O	Buffer memory over signal output terminal.
11	IPF	O	Correction flag output terminal
12	SBOK	O	Sub code Q data CRCC check adjusting result output terminal. "H"=result OK
13	CLCK	I/O	Sub code P~W data readout input/output terminal
14	Vdd	-	Digital power supply voltage terminal
15	Vss	-	Digital GND terminal
16	DATA	O	Sub code P~W data output terminal
17	SFSY	O	Play-back frame sync signal output terminal
18	SBSY	O	Sub code block sync signal output terminal
19	SPCK	O	Processor status signal readout clock output terminal
20	SPDA	O	Processor status signal output terminal
21	COFS	O	Correction frame clock output terminal (7.35kHz)
22	MONIT	O	Internal signal (DSP internal flag and PLL clock) output terminal
23	Vdd	-	Digital power supply voltage terminal
24	TESIO0	I	Test input/output terminal. Normally, keep at "L" level
25	P2VREF	-	PLL double reference voltage supply terminal
26	HSSW	O	2/4 times speed at "Vref" voltage
27	ZDET	O	1bit DA converter zero detect flag output terminal
28	PDO	O	Phase difference signal output terminal of EFM signal and PLCK signal
29	TMAXS	O	TMAX detection result output terminal. Selected by command bit (TMPS)
30	TMAX	O	TMAX detection result output terminal. Selected by command bit (TMPS)
31	LPFN	I	LPF amplifier inverting input terminal for PLL
32	LPFO	O	LPF amplifier output terminal for PLL
33	PVREF	-	PLL reference voltage supply terminal
34	VCOREF	I	VCO center frequency reference level terminal
35	VCOF	O	VCO filter terminal
36	AVss	-	Analog GND terminal
37	SLCO	O	Data slice level output terminal
38	RFI	I	RF signal input terminal
39	AVDD	-	Analog power supply voltage terminal

## 2.Pin Function (2/2)

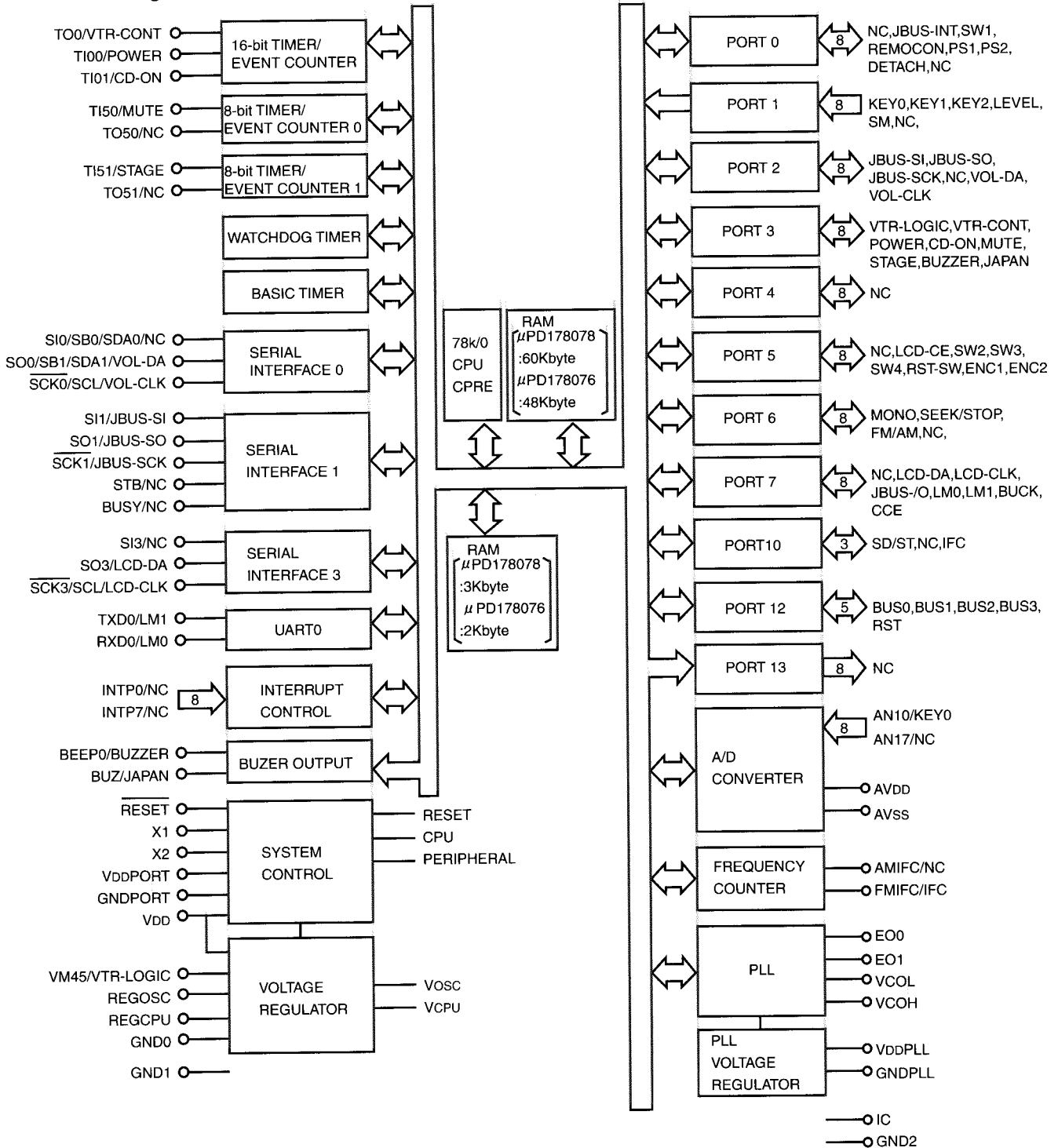
Pin No.	Symbol	I/O	Function
40	RFCT	I	RFRP signal center level input terminal
41	RFZI	I	RFRP zero cross input terminal
42	RFRP	I	RF ripple signal input terminal
43	FEI	I	Focus error signal input terminal
44	SBAD	I	Sub-beam adder signal input terminal
45	TSIN	I	Test input terminal Normally, keep at "vref" level
46	TEI	I	Tracking error signal input terminal. Take in at tracking servo ON.
47	TEZI	I	Tracking error zero cross input terminal
48	FOO	O	Focus servo equalizer output terminal
49	TRO	O	Tracking servo equalizer output terminal
50	VREF	-	Analog reference voltage supply terminal
51	RFGC	O	RF amplitude adjustment control signal output terminal
52	TEBC	O	Tracking balance control signal output terminal
53	FMO	O	Feed equalizer output terminal
54	FVO	O	Speed error signal or feed search equalizer output terminal
55	DMO	O	Disk equalizer output terminal (PWM carrier=88.2kHz for DSP, Synchronize to PXO)
56	2VREF	-	Analog double reference voltage supply terminal
57	SEL	O	APC circuit ON/OFF indication signal output terminal
58~61	FLGA~D	O	External flag output terminal for internal signal
62	VDD	-	Digital power supply voltage terminal
63	VSS	-	Digital GND terminal
64~67	IO0~3	I/O	General I/O terminal
68	DMOUT	I	This terminal control IO0~IO3 terminal
69	CKSE	I	Normally, keep at open
70	DACT	I	DAC test mode terminal. Normally, keep at open
71	TESIN	I	Test input terminal, Normally, keep at "L" level
72	TESIO1	I	Test input/output terminal. Normally, keep at "L" level
73	VSS	-	Digital GND terminal
74	PXI	I	Crystal oscillator connecting input terminal for DSP
75	PXO	O	Crystal oscillator connecting output terminal for DSP
76	VDD	-	Digital power supply voltage terminal
77	XVSS	-	Oscillator GND terminal for system clock
78	XI	I	Crystal oscillator connecting input terminal for system clock
79	XO	O	Crystal oscillator connecting output terminal for system clock
80	XVDD	-	Oscillator power supply voltage terminal for system clock
81	DVSR	-	Analog GND terminal for DA converter (Rch)
82	RO	O	R channel data forward output terminal
83	DVDD	-	Analog supply voltage terminal for DA converter
84	DVR	-	Reference voltage terminal for DA converter
85	LO	O	L channel data forward output terminal
86	DVSL	-	Analog GND terminal for DA converter (Lch)
87~89	TEST1~3	I	Test mode terminal . Normal keep at open
90~93	BUS0~3	I/O	Micon interface data input/output terminal
94	VDD	-	Digital power supply voltage terminal
95	VSS	-	Digital GND terminal
96	BUCK	I	Micon interface clock input terminal
97	CCE	I	Command and data sending/receiving chip enable signal input terminal
98	TEST4	I	Test mode terminal. Normal, keep at open
99	TSMOD	I	Local test mode selection terminal
100	RST	I	Reset signal input terminal. Reset at "L" level

■ UPD178076GF-522 (IC701): System CPU

1. Terminal layout



2. Block diagram



## 3.Pin function

UPD178076GF-522(1/2)

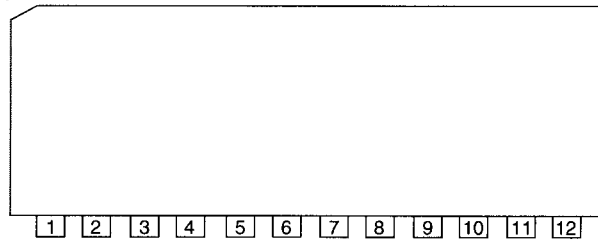
Pin NO.	Symbol	I/O	FUNCTION
1	NC	-	Non connection
2	BUSINT	I	JVC BUS COMMUNICATION LINE
3	BUSSI	I	JVC BUS COMMUNICATION LINE
4	BUSSO	O	JVC BUS COMMUNICATION LINE
5	JBUS-SCK	O	JVC BUS COMMUNICATION LINE
6	NC	-	Non connection
7	NC	-	Non connection
8	I2CDAI	I	SERIAL DATA INPUT
9	I2CDAO	O	SERIAL DATA OUTPUT
10	I2CCLK	O	SERIAL CLOCK OUTPUT
11	NC	-	Non connection
12	LCDDA	O	LCD DRIVER SERIAL DATA OUTPUT
13	LCD SCK	O	LCD DRIVER SERIAL CLOCK OUTPUT
14	BUSI/O	O	JVC BUS OUTPUT SELECT
15	NC	-	Non connection
16	LCDCE	O	LCD DRIVER COMMUNICATION LINE
17	SW2	I	CD MECHA SW
18	SW3	I	CD MECHA SW
19	SW4	I	CD MECHA SW
20	RSTSW	I	TRAVERSE MECHA REST SW
21	ENC1	I	ENCODER INPUT
22	ENC2	I	ENCORDER INPUT
23	KEY0	I	KEY INPUT
24	KEY1	I	KEY INPUT
25	KEY2	I	KEY INPUT
26	LEVEL	I	AUDIO LEVEL INPUT
27	AVDD	-	---
28	SM	I	SIGNAL LEVEL METER INPUT
29	SQ	I	SIGNAL QUALITY INPUT
30	NC	-	Non connection
31	NC	-	Non connection
32	AVSS	-	---
33	REGCPU	-	---
34	VDD	-	---
35	REGOSC	-	---
36	X2	-	SYSTEM CLOCK
37	X1	I	SYSTEM CLOCK
38	GND0	-	---
39	SD/ST	I	STATION DETECTOR & STEREO IND.
40	GND2	-	---
41	NC	-	Non connection
42	IFC	I	IF COUNT INPUT
43	VDDPLL	-	---
44	OSC	I	FM,AM OSC INPUT
45	NC	-	Non connection
46	GNDPLL	-	---
47	AMEQ	O	PLL ERROR OUTPUT FOR AM
48	FMEQ	O	PLL ERROR OUTPUT FOR FM
49	IC(VPP)	-	SETTING TO WRITE FOR FLASH
50	RESET	I	SYSTEM RESET

Pin NO.	Symbol	I/O	FUNCTION
51	SW1	I	CD MECHA SW
52	REMOCON	I	REMOCON INPUT
53	NC	-	Non connection
54	TEL_MUTE	O	TEL MUTE OUTPUT
55	POWER	O	POWER CONT.
56	CDON	O	CD POWER CONT.
57	MUTE	O	MUTE CONT
58	STAGE 1	-	---
59	BUZZER	-	Non connection
60	STAGE 2	-	---
61	NC	-	Non connection
62	NC	-	Non connection
63	NC	-	Non connection
64	NC	-	Non connection
65	NC	-	Non connection
66	NC	-	Non connection
67	NC	-	Non connection
68	NC	-	Non connection
69	LM0	O	CD MECHA DRIVER CONT.
70	LM1	O	CD MECHA DRIVER CONT.
71	BUCK	O	CD LSI COMMUNICATION LINE
72	CCE	O	CD LSI COMMUNICATION LINE
73	BUS0	I/O	CD LSI COMMUNICATION LINE
74	BUS1	I/O	CD LSI COMMUNICATION LINE
75	BUS2	I/O	CD LSI COMMUNICATION LINE
76	BUS3	I/O	CD LSI COMMUNICATION LINE
77	RST	O	CD LSI COMMUNICATION LINE
78	PS1	I	ACC DETECTION INPUT
79	PS2	I	MEMORY DETECTION
80	DETACH	I	DETACH DETECTION
81	RDSSCK	I	CLOCK INPUT FOR RDS
82	GND1	-	---
83	MONO	O	MONO BY FORCE
84	SEEK/STOP	O	SWITCHING SEEK & STOP
85	FM/AM	O	BAND SW
86	AFCK	O	AF CHECK OUTPUT
87	RDSDATA	I	RDS DATA INPUT
88	PLLMONITOR	-	Non connection
89	NC	-	Non connection
90	NC	-	Non connection
91	NC	-	Non connection
92	NC	-	Non connection
93	NC	-	Non connection
94	NC	-	Non connection
95	NC	-	Non connection
96	NC	-	Non connection
97	NC	-	Non connection
98	NC	-	Non connection
99	VDDPORT	-	---
100	GNDPORT	-	---

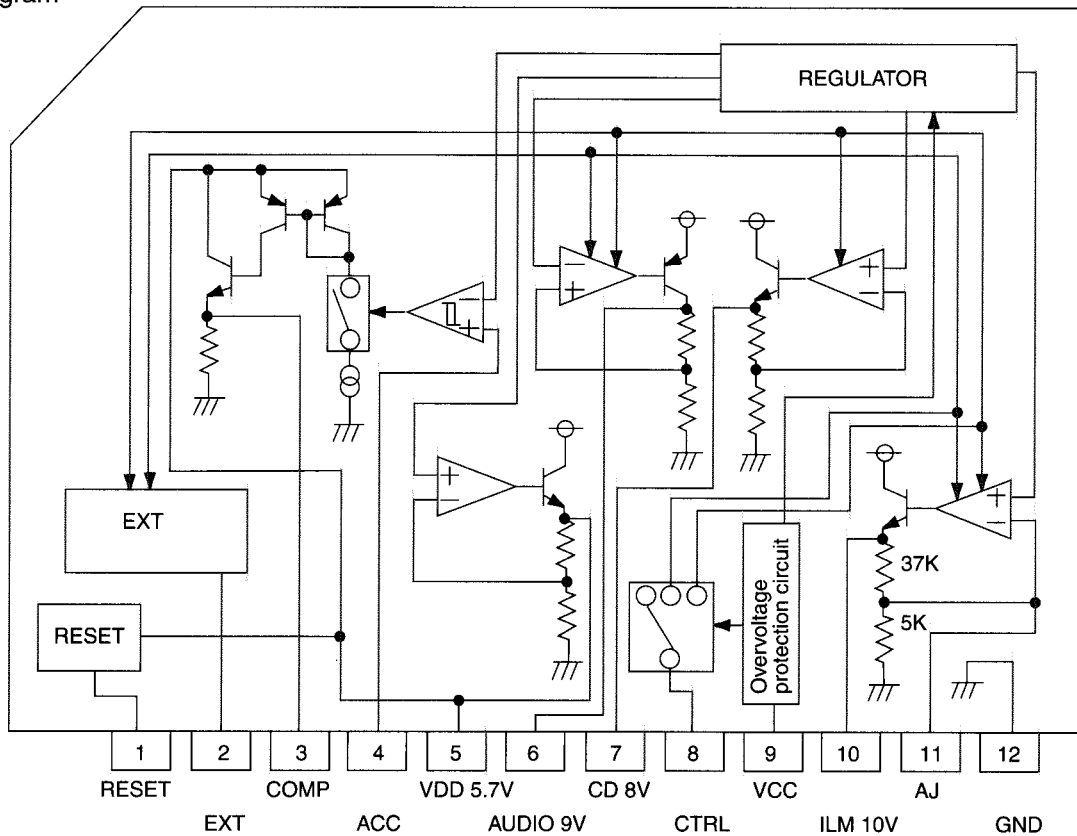


■ BA4905-V3 (IC961) : Regulator

1. Terminal layout



2. Block diagram

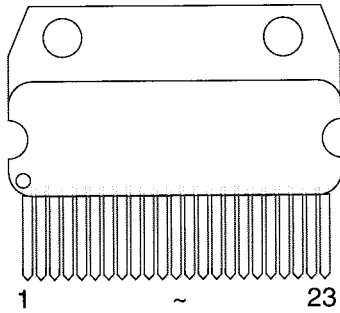


3. Pin function

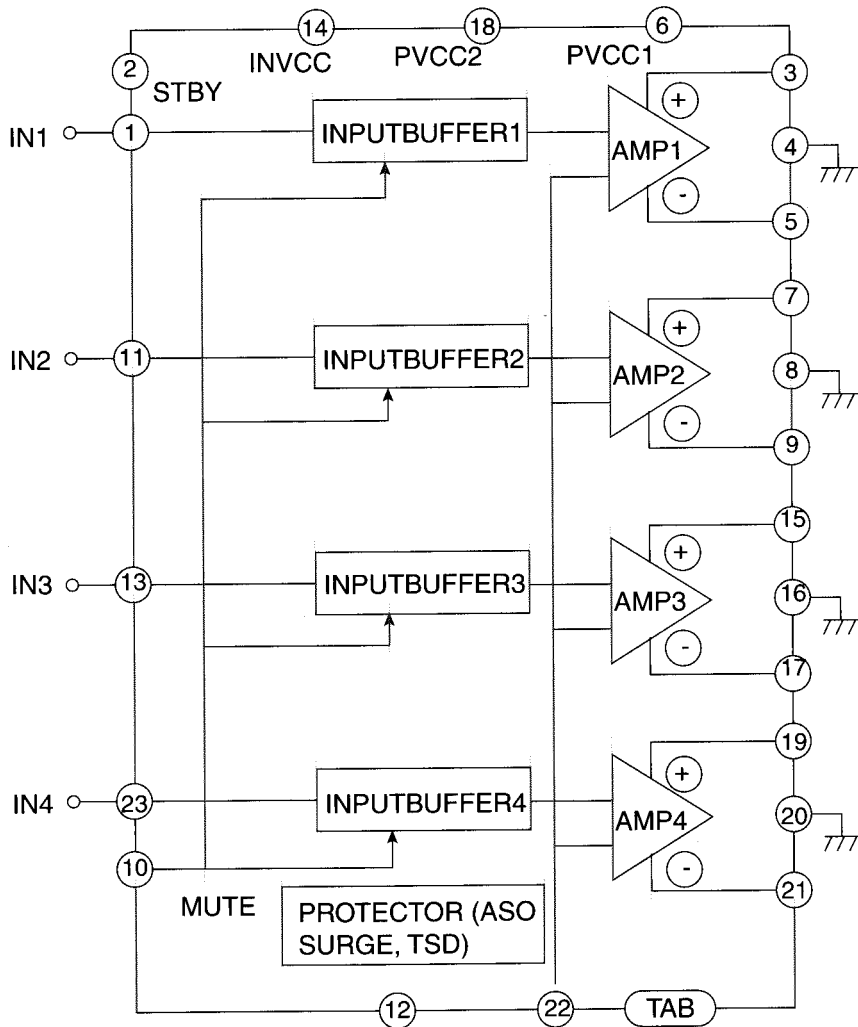
Pin no.	Symbol	Function
1	RESET	If VDD voltage becomes 4V or less. RESET output becomes low level.
2	EXT output	This output voltage is approximately 0.5V lower than VCC. and max output current is 300mA.
3	COMP output	A voltage supply for ACC block. This output voltage is approximately 0.7V lower than VDD'S. The max output current is 100mA.
4	ACC	Control of the COMP output by inputting voltage.
5	VDD output	This output voltage is 5.7V, and max output current is 100mA. This voltage supply is for microcomputer. Whenever back up voltage supply is connected, the output keeps on running.
6	AUDIO output	This output voltage is 9.0v, and max output current is 500mA. This voltage supply for AUDIO.
7	CD output	This output voltage is 8.0V, and max output current is 1A. This voltage supply for CD.
8	CTRL	Output selector of CD. AUDIO, ILM and EXT.
9	VCC	To be connected with the BACK UP of car.
10	ILM output	This output voltage is 10V, and max output current is 500mA. Output voltage is adjustable.
11	AJ	Putting a resistance between ILM and AJ or between AJ and GND makes ILM output voltage adjustable.
12	GND	Ground.

■ HA13158A (IC301) : Power amp

1. Pin layout

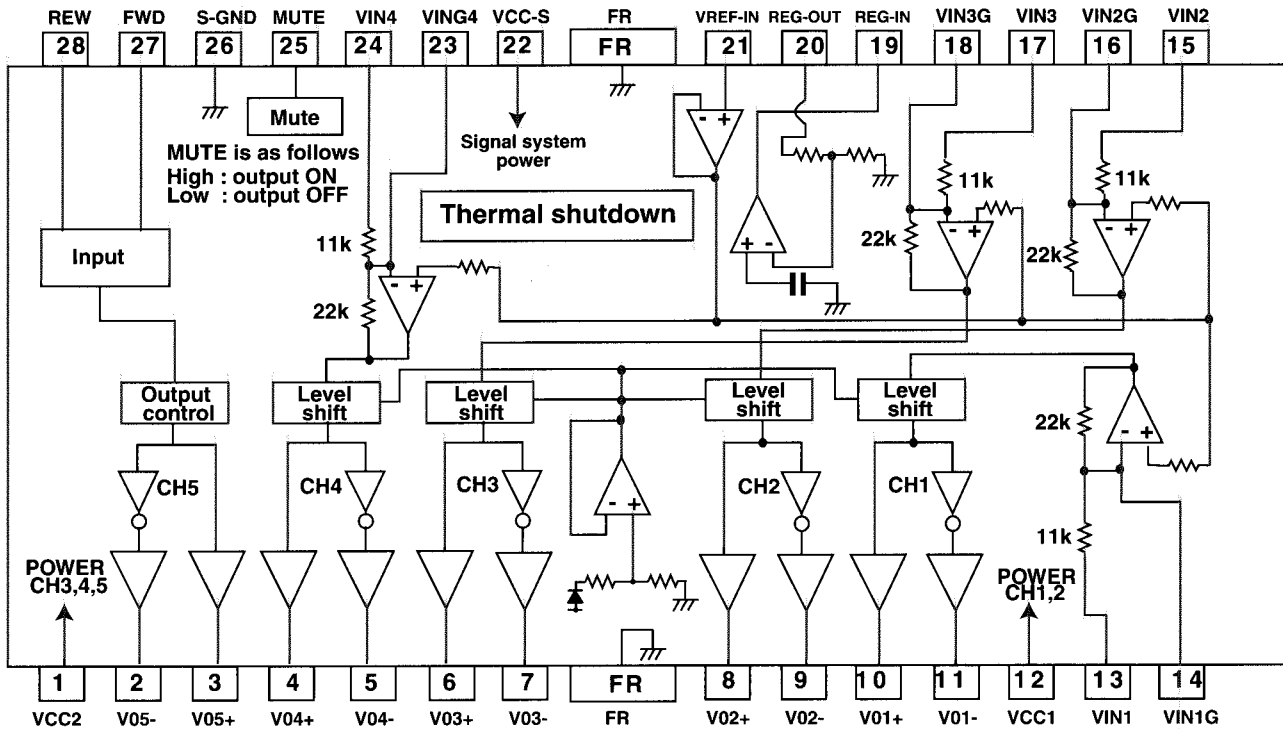


2. Block diagram



■ LA6557-X(IC501) : Servo BTL driver

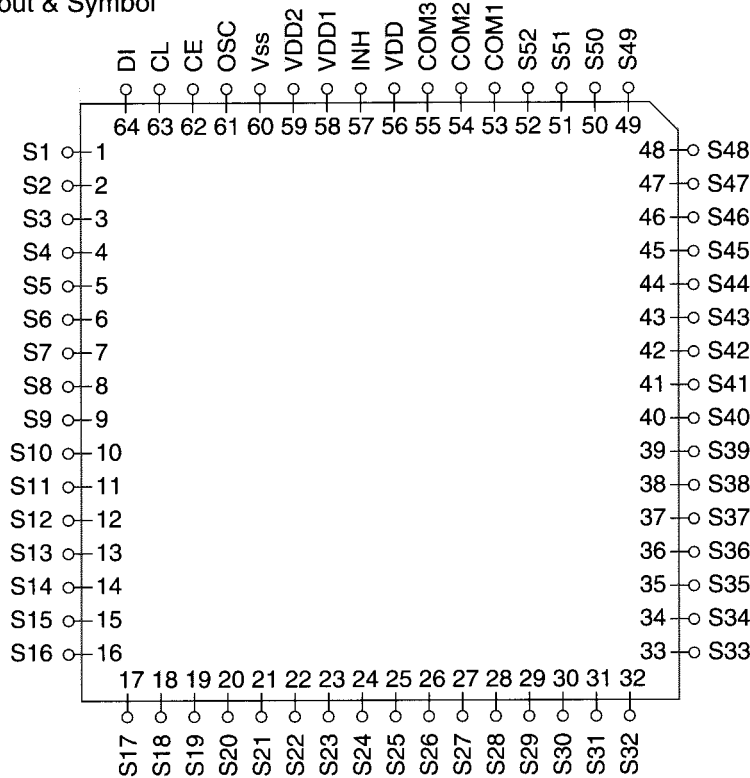
1. Block diagram



Pin No.	Pin Name	Description
1	VCC2	Power for channels 3,4, and 5 (VCC1 and VCC-S short-circuited)
2	V05-	Loading output (-)
3	V05+	Loading output (+)
4	V04+	Output pin (+) for channel 4
5	V04-	Output pin (-) for channel 4
6	V03+	Output pin (+) for channel 3
7	V03-	Output pin (-) for channel 3
8	V02+	Output pin (+) for channel 2
9	V02-	Output pin (-) for channel 2
10	V01+	Output pin (+) for channel 1
11	V01-	Output pin (-) for channel 1
12	VCC1	Power for channels 1 and 2 (BTL), (VCC-S and VCC2 short-circuited)
13	VIN1	Input pin for channel 1
14	VIN1G	Input pin for channel 1 (for gain control)
15	VIN2	Input pin for channel 2
16	VIN2G	Input pin for channel 2 (for gain control)
17	VIN3	Input pin for channel 3
18	VIN3G	Input pin for channel 3 (for gain control)
19	REG-IN	Regulator pin (External PNP base)
20	REG-OUT	Regulator pin (External PNP collector)
21	VRFE-IN	Reference voltage input pin
22	VCC-S	Signal system power (VCC1 and VCC2 short-circuited)
23	VIN4G	Input pin for channel 4 (for gain control)
24	VIN4	Input pin for channel 4
25	MUTE	Output ON/OFF, channels 1 to 4 (BTL AMP)
26	S-GND	Signal system GND
27	FWD	5CH(VL0) Output change pin (FWD), Logic input for loading block
28	REV	5CH(VL0) Output change pin (REW), Logic input for loading block

■ LC75823W (IC601) : LCD driver

1. Pin Layout & Symbol

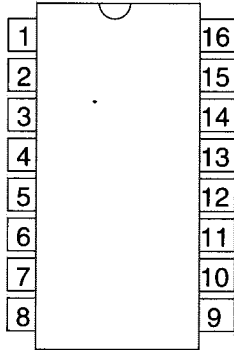


2. Pin Function

Pin No.	Symbol	I/O	Function
1 to 52	S1 to S52	O	Segment output pins used to display data transferred by serial data input.
53 to 55	COM1 to COM3	O	Common driver output pins. The frame frequency is given by : $t_0 = (f_{osc}/384)Hz$ .
56	VDD	--	Power supply connection. Provide a voltage of between 4.5 and 6.0V.
57	$\overline{INH}$	I	Display turning off input pin. $\overline{INT} = "L"$ (Vss) ----- off (S1 to S52, COM1 to COM3="L") $\overline{INT} = "H"$ (VDD)----- on Serial data can be transferred in display off mode.
58	VDDD1	I	Used for applying the LCD drive 2/3 bias voltage externally. Must be connected to VDD2 when a 1/2 bias drive scheme is used.
59	VDD2	I	Used for applying the LCD drive 1/3 bias voltage externally. Must be connected to VDD1 when a 1/2 bias drive scheme is used.
60	Vss	--	Power supply connection. Connect to GND.
61	OSC	I/O	Oscillator connection. An oscillator circuit is formed by connecting an external resistor and capacitor at this pin.
62	CE		Serial data interface connection CE : Chip enable
63	CL	I	to the controller. CL : Sync clock
64	DI		DI : Transfer data

■ SAA6579T-X (IC71) : RDS demodulator

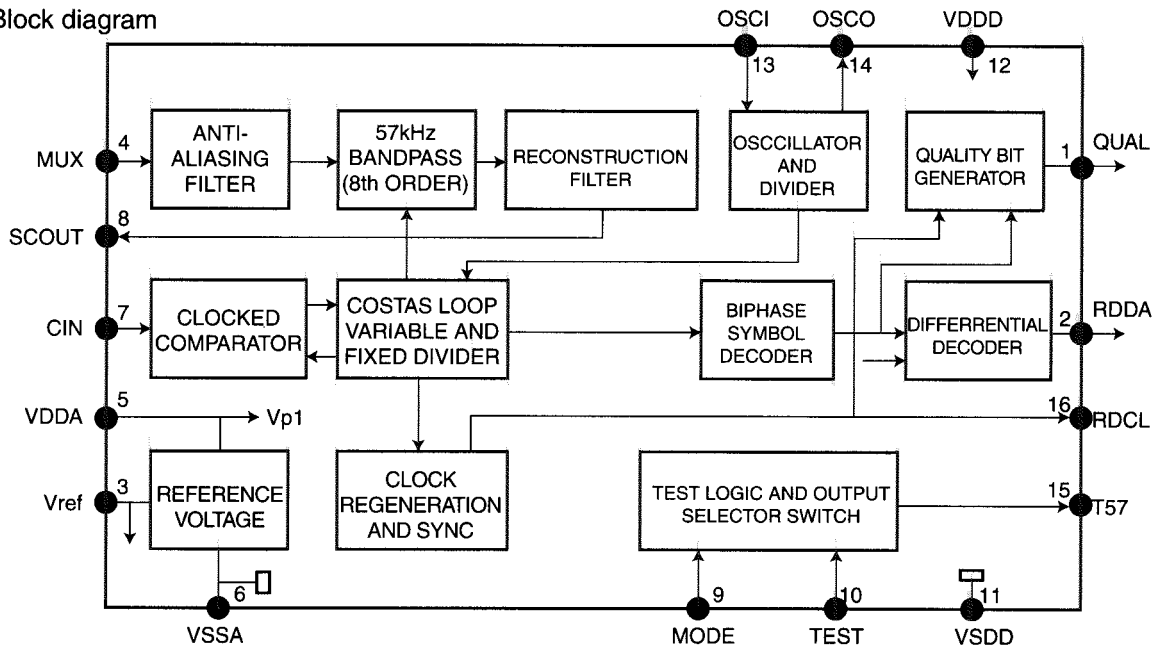
1. Pin layout



2. Pin function

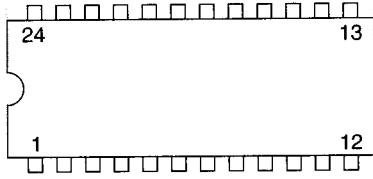
Pin No.	Symbol	Function
1	QUAL	Quality indication output
2	RDDA	RDS data output
3	Vref	Reference voltage output (0.5VDDA)
4	MUX	Multiplex signal input
5	VDDA	+5V supply voltage for analog part
6	VSSA	Ground for analog part (0V)
7	CIN	Subcarrier input to comparator
8	SCOUT	Subcarrier output of reconstruction filter
9	MODE	Oscillator mode / test control input
10	TEST	Test enable input
11	VSSD	Ground for digital part (0V)
12	VDDD	+5V supply voltage for digital part
13	OSCI	Oscillator input
14	OSCO	Oscillator output
15	T57	57kHz clock signal output
16	RDCL	RDS clock output

3. Block diagram

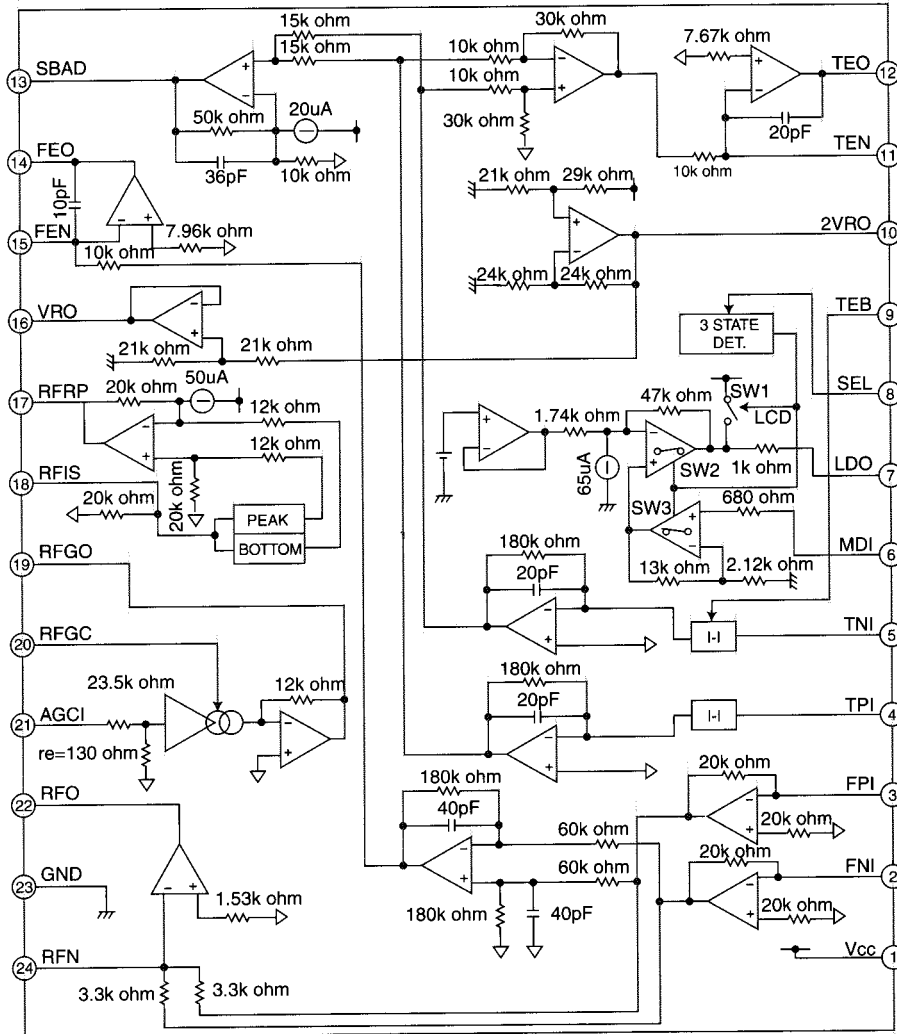


■ TA2109F-X (IC521) : RF amp.

1. Pin layout



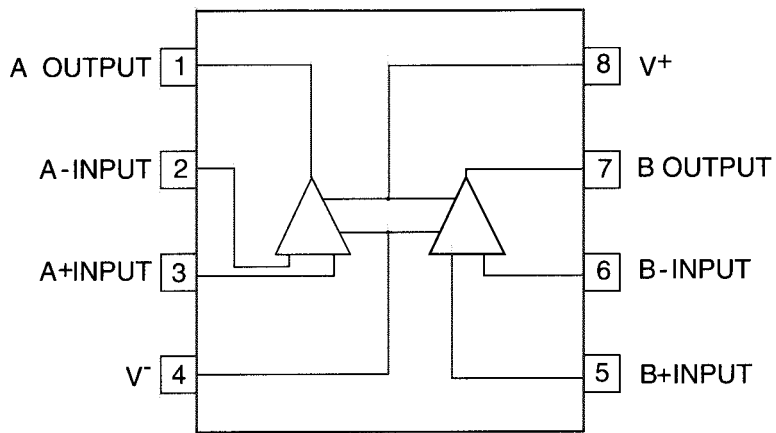
2. Block diagram



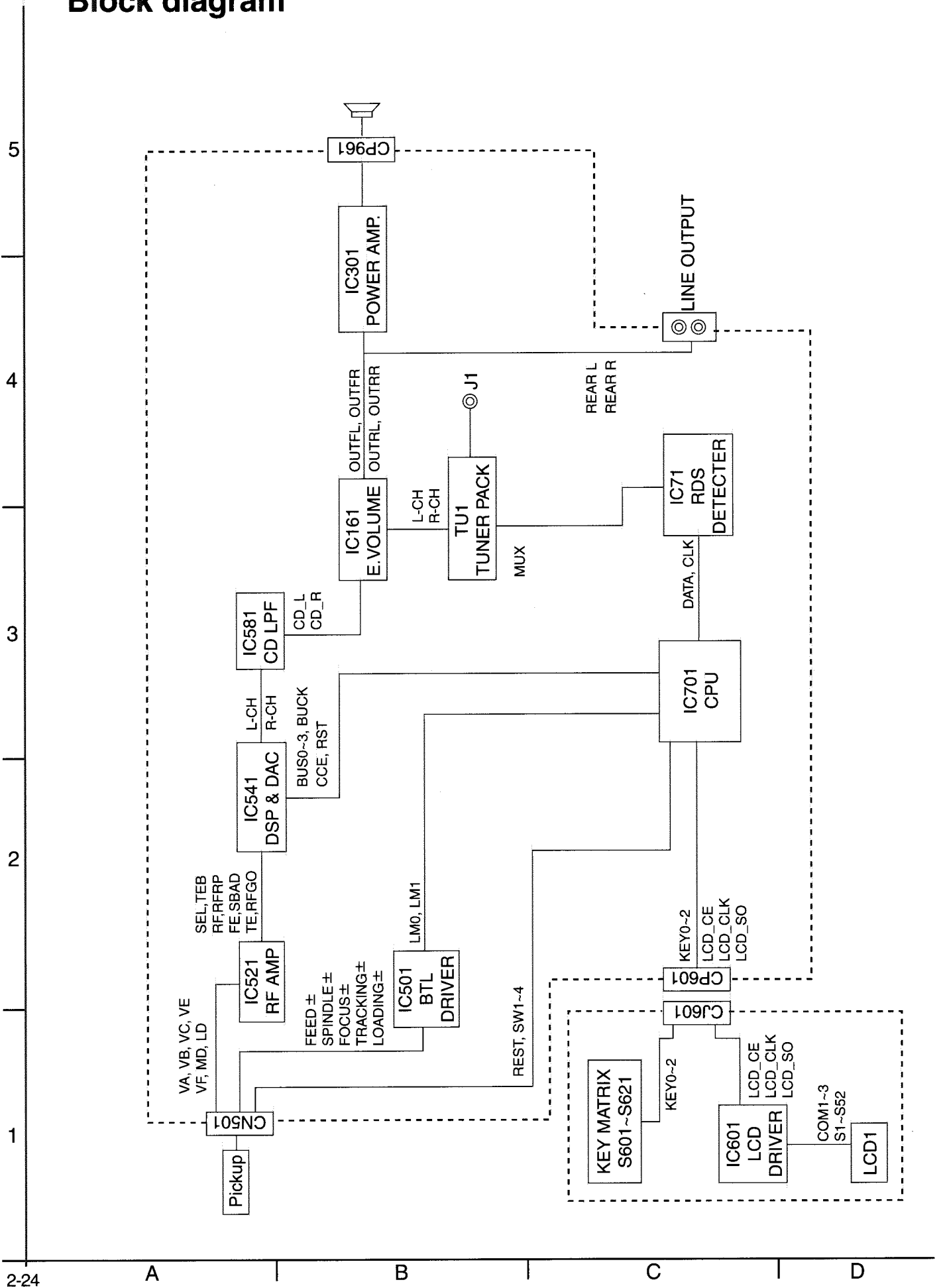
3. Pin function

Pin No.	Symbol	I/O	Pin function	Pin No.	Symbol	I/O	Pin function
1	Vcc	-	Power supply input terminal	13	SBAD	O	Sub beam adder signal output terminal
2	FNI	I	Main beam I-V amp input terminal	14	FEO	O	Focus error signal output terminal
3	FPI	I	Main beam I-V amp input terminal	15	FEN	I	FE amp negative input terminal
4	TPI	I	Sub beam I-v input terminal	16	VRO	O	Reference voltage (VREF) output terminal
5	TNI	I	Sub beam I-V input terminal	17	RFRP	O	Track count signal output terminal
6	MDI	I	Monitor photo diode amp input terminal	18	RFIS	I	RFRP detect circuit input terminal
7	LDO	O	Laser diode amp output terminal	19	RFGO	O	RF gain signal output terminal
8	SEL	I	Laser diode control signal input terminal	20	RFGC	I	RF amplitude adj. control signal input terminal
9	TEB	I	T. error balance adj. signal input terminal	21	AGCI	I	RF signal amplitude adj. amp input terminal
10	2VRO	O	Reference voltage output terminal	22	RFO	O	RF signal output terminal
11	TEN	I	TE amp negative input terminal	23	GND	-	Ground terminal
12	TEO	O	TE error signal output terminal	24	RFN	I	RF amp negative input terminal

■ NJM4565M-WE (IC581) : Ope. amp



# Block diagram



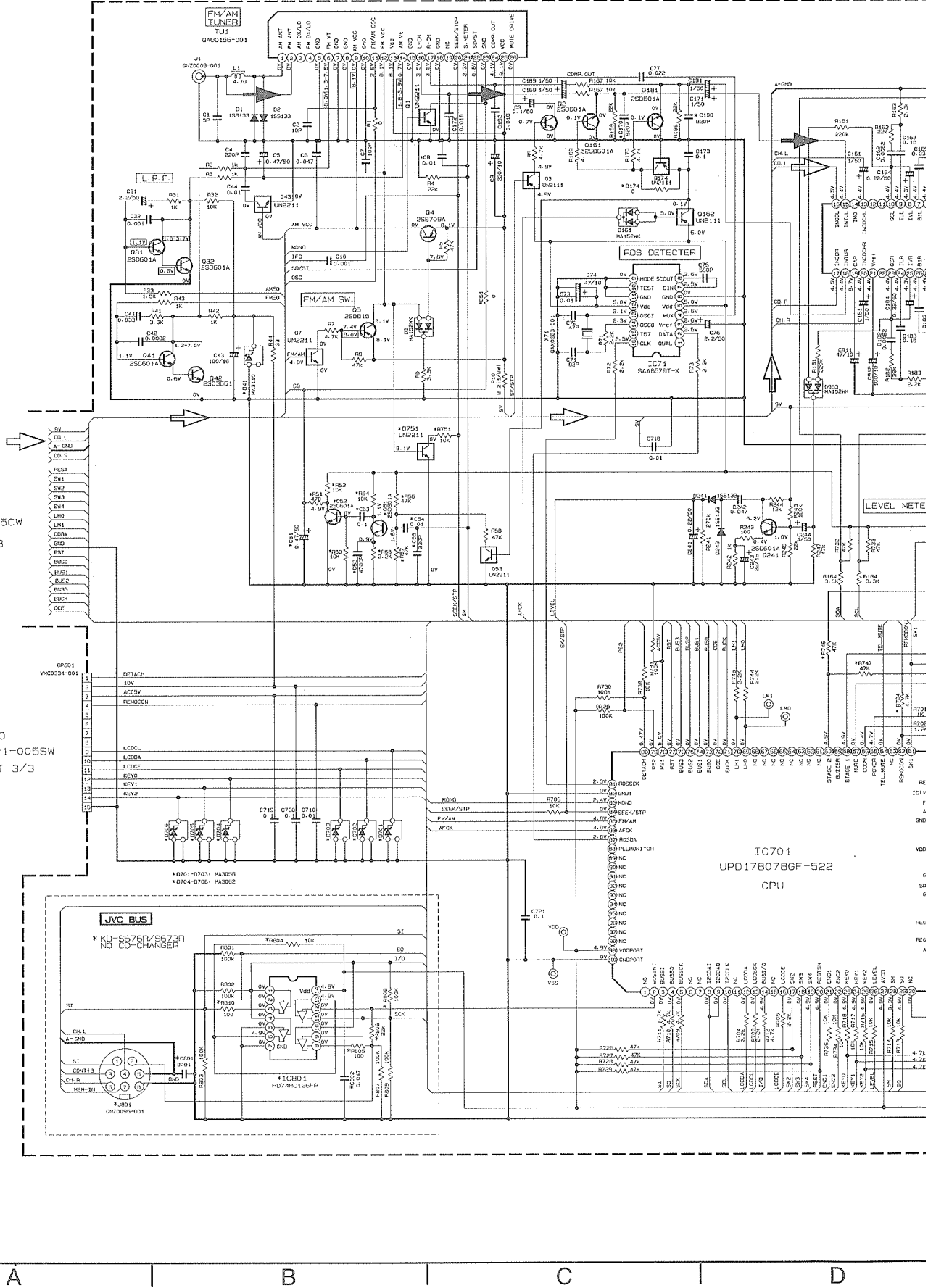




# Standard schematic diagrams

## ■ Main amp. section

- NOTES**
1. VOLTAGES ARE DC-MEASURED WITH A DIGITAL METER IN FM MODE. □ AM MODE. ( ) DC
  2. UNLESS OTHERWISE SPECIFIED, ALL RESISTORS ARE 1/10W 15% METAL GLAZE. ALL CAPACITORS ARE 50V OR 25V CERAMIC. ALL RESISTANCE VALUES ARE IN OHM. ALL CAPACITANCE VALUES ARE IN uF (p=pF). ALL ELECTROLYTIC CAPACITORS ARE SHOWN IN THE FORM  $\square$  T.F. CAPACITOR



5

4

3

2

1

A

B

C

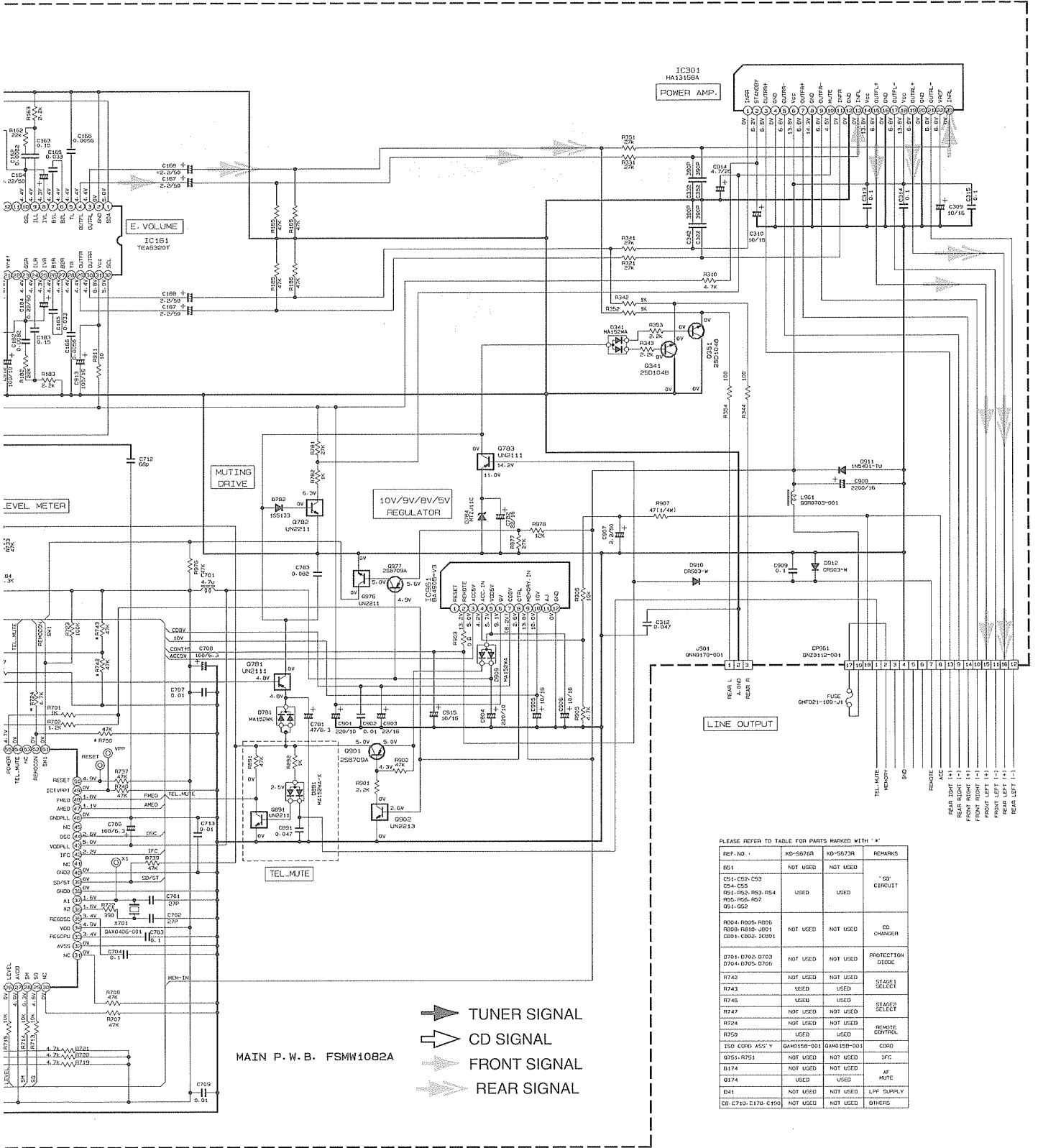
D

TO  
FSDH3121-005CW  
SHEET 2/3

TO  
FSDH3121-005SW  
SHEET 3/3

TH A DIGITAL VOLT METER WITHOUT INPUT SIGNAL  
MODE. ( ) CD MODE.

Ω METAL GLAZE RESISTOR.  
⊞ CERAMIC CAPACITOR.  
M OHM.  
IN UF(P=PF)  
IN THE FORM OF CAPACITANCE(UF)/RATED VOLTAGE(V)



REF. NO.	KD-S676R	KD-S673R	REMARKS
R51	NOT USED	NOT USED	
C51-C53			* 10V CIRCUIT
C54-C55			
R61, R62, R63, R64	USED	USED	
R65, R66, R67			
Q51-Q52			
R004, R005, R006			DB CHANGER
R008, R010, J01	NOT USED	NOT USED	
C001, C002, C003			
D701, D702, D703	NOT USED	NOT USED	PROTECTION DIODE
D704, D705, D706			
R742	NOT USED	NOT USED	STAGE1 SELECT
R743	USED	USED	
R746	USED	USED	STAGE2 SELECT
R747	NOT USED	NOT USED	
R724	NOT USED	NOT USED	REMOTE CONTROL
R750	USED	USED	
1SD CORP ASS'Y	GAH015B-001	GAH015B-001	CORP
Q751, Q752	NOT USED	NOT USED	IFC
B174	NOT USED	NOT USED	AF MUTE
O174	USED	USED	
D41	NOT USED	NOT USED	LFP SUPPLY
CR-C710, C176, C190	NOT USED	NOT USED	OTHERS

MAIN P. W. B. FSMW10B2A

- ➡ TUNER SIGNAL
- ⇨ CD SIGNAL
- ⇨ FRONT SIGNAL
- ⇨ REAR SIGNAL

■ CD servo section

5

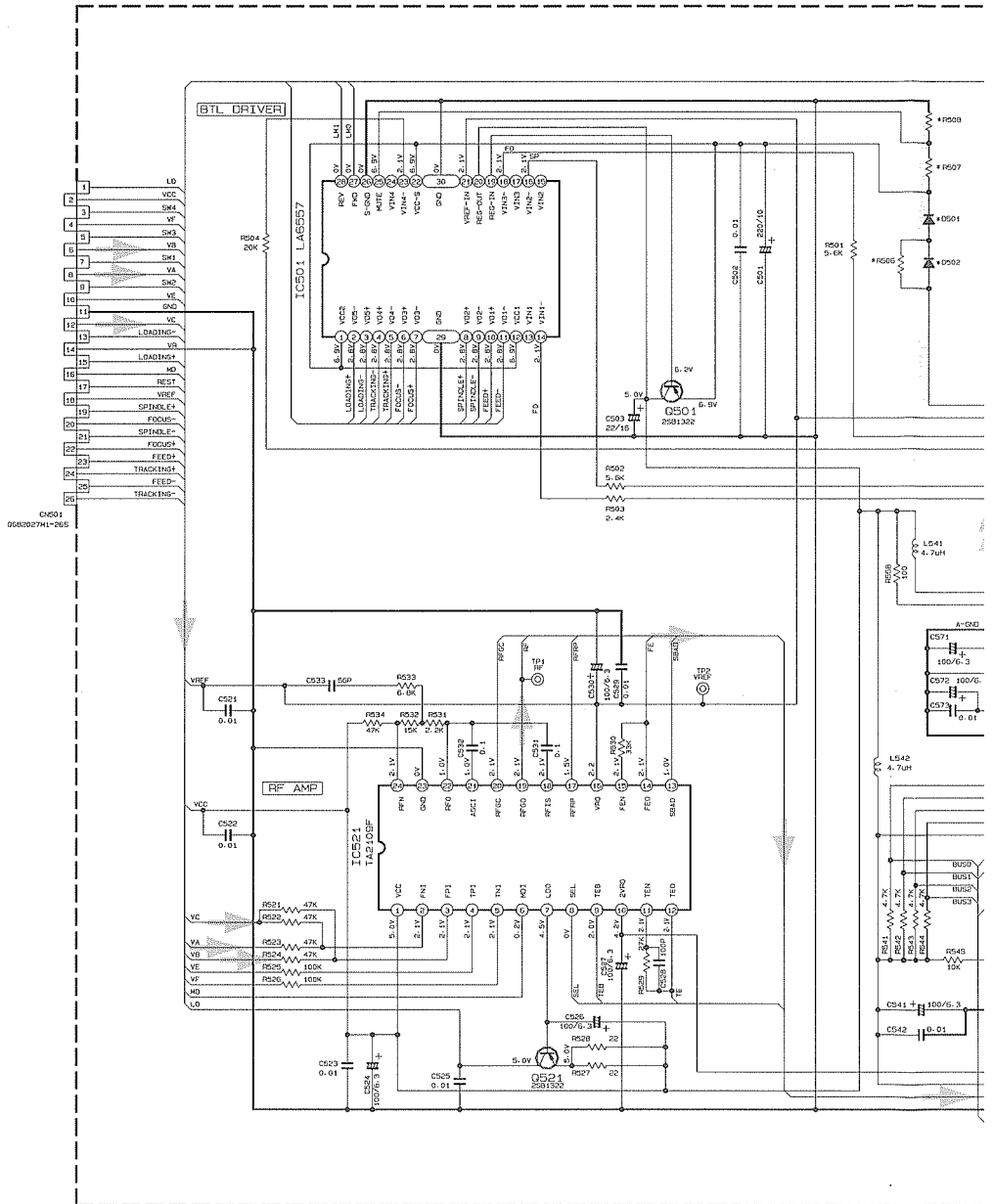
4

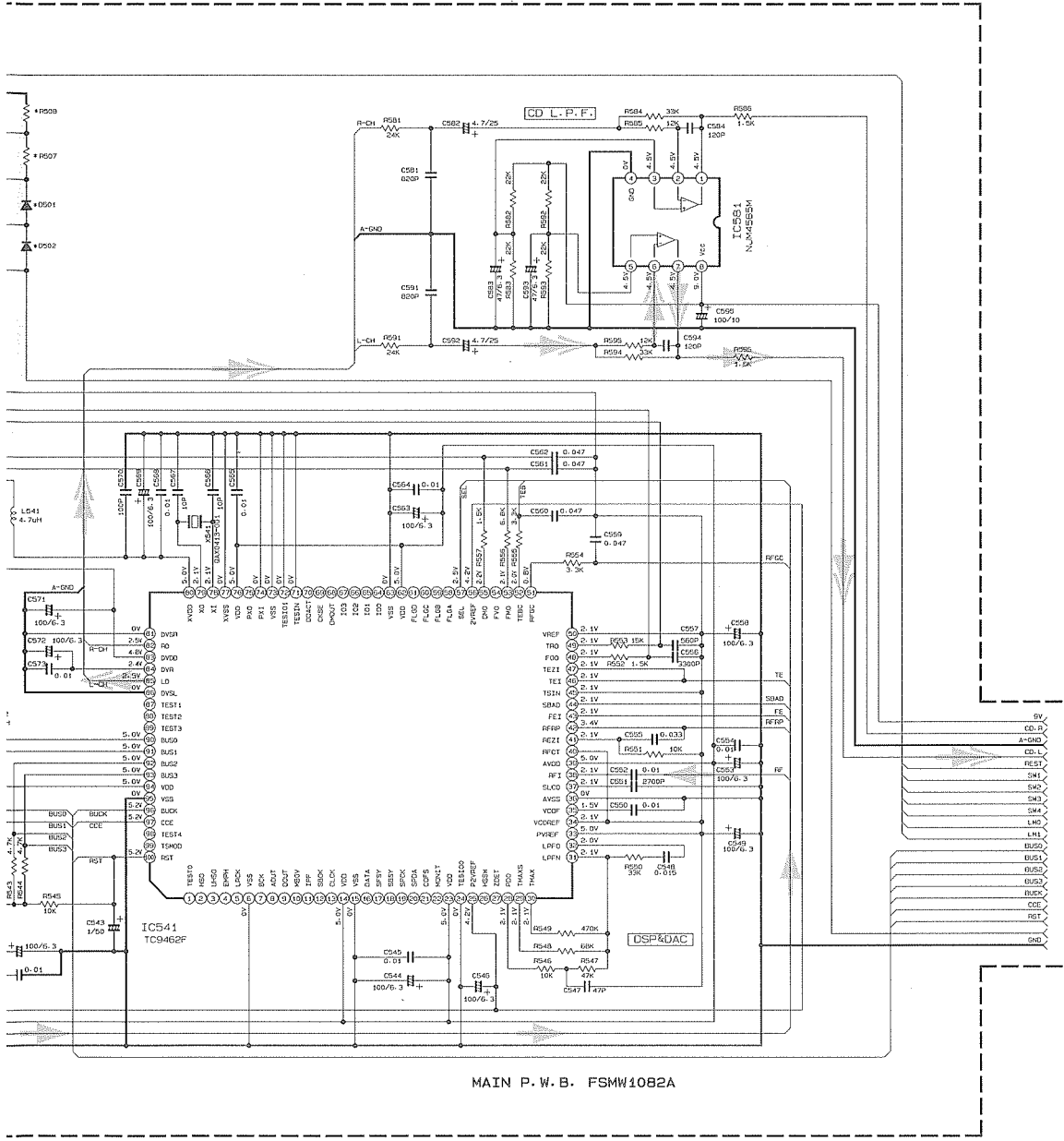
3

2

1

TO  
CD MECHA  
(BDL1089-001M)





MAIN P.W.B. FSMW1082A

TO  
FSDH3121-005TW  
SHEET 1/3

PLEASE REFER TO TABLE FOR PARTS MARKED WITH \*

REF. NO. *	KD-S57ER	KD-S57JR	REMARKS
R501	DSK18C	DSK18C	
R502	DSK18C	DSK18C	
R505	NOT USED	NOT USED	
R507	Ø	Ø	
R508	NOT USED	NOT USED	

➡ DIGITAL SIGNAL  
➡ ANALOG SIGNAL

■ LCD & key control section

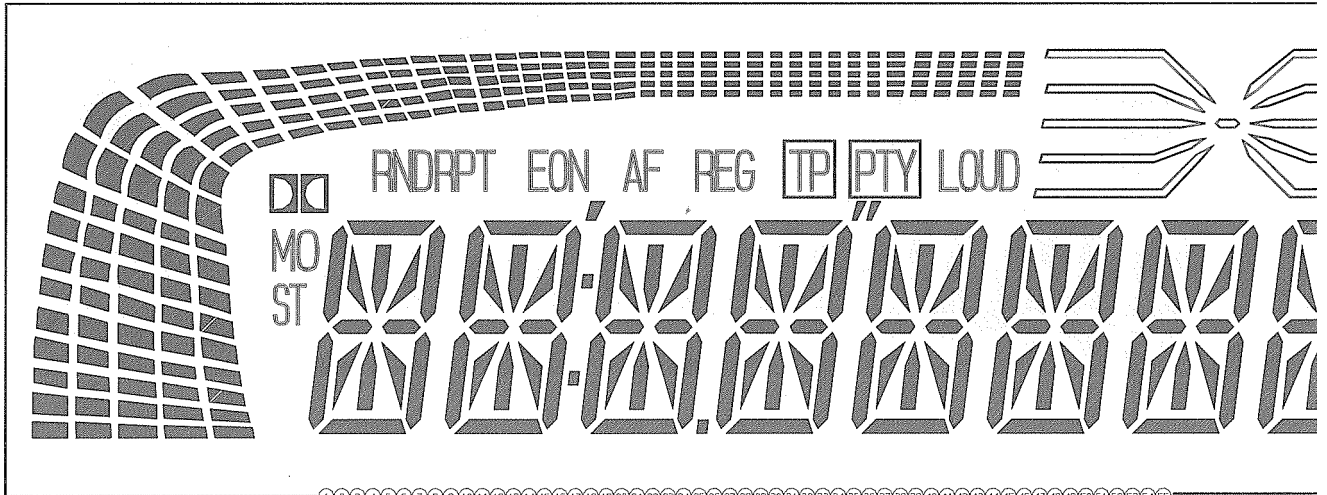
5

4

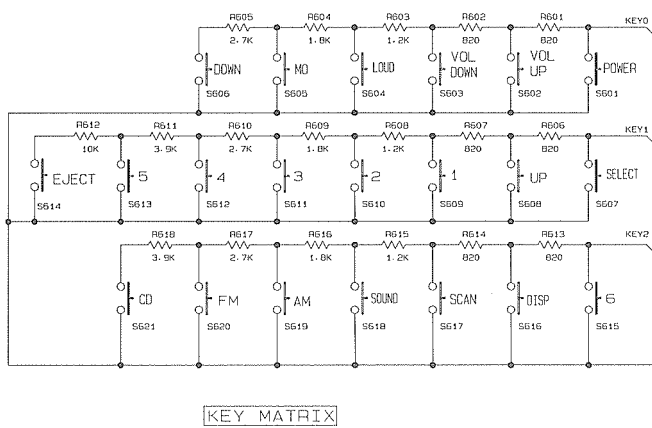
3

2

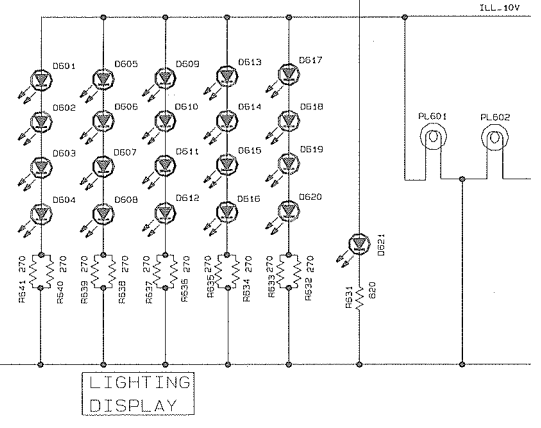
1



LCD1  
QLDO103-001



KEY MATRIX



LIGHTING  
DISPLAY

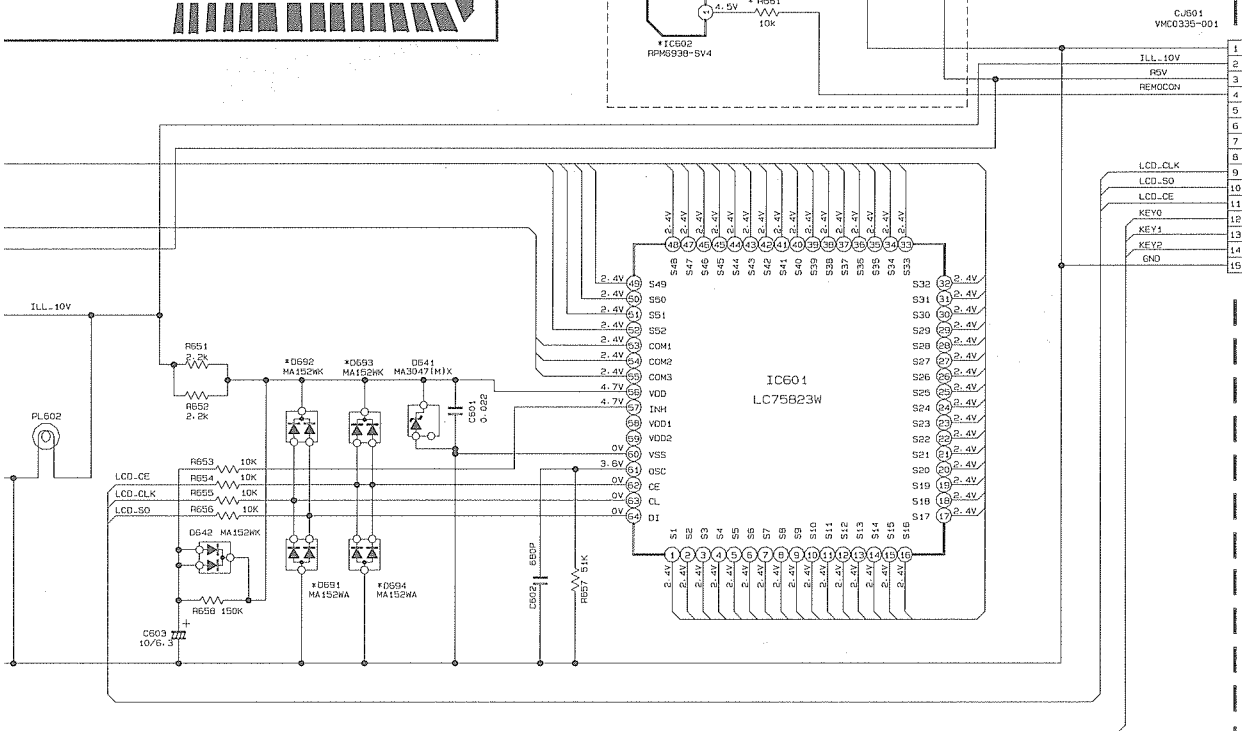
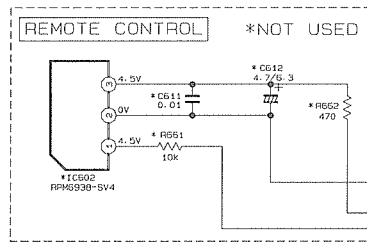
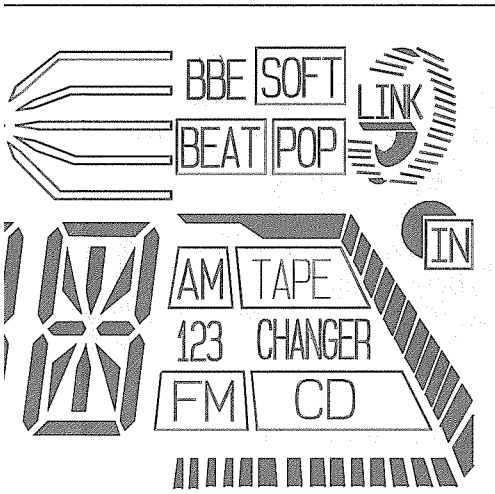
FRONT CIRCUIT BOARD SE

A

B

C

D



TO  
FSDH3121-005TW  
SHEET 1/3

LCD DRIVER SWITCH P. W. B. FSMW1079A

D SECTION

PLEASE REFER TO TABLE FOR PARTS MARKED WITH \* \*

REF. NO. *	KD-S676R	KD-S673R	REMARKS
DG21	SM-310LT/AN/-X	SM-310LT/AN/-X	POWER LED
IC602	NOT USED	NOT USED	REMOTE CONTROL
D601 - D620	LNJ3085B/1-3/X	SM-310DT/AL/-X	F. PANEL ILLUM.
S601 - S618	NSW0124-001	NSW0124-001	TACT SWITCH
PL601-PL602	QLL0095-001	QLL0175-001	PILOT LAMP

# Printed circuit boards

5

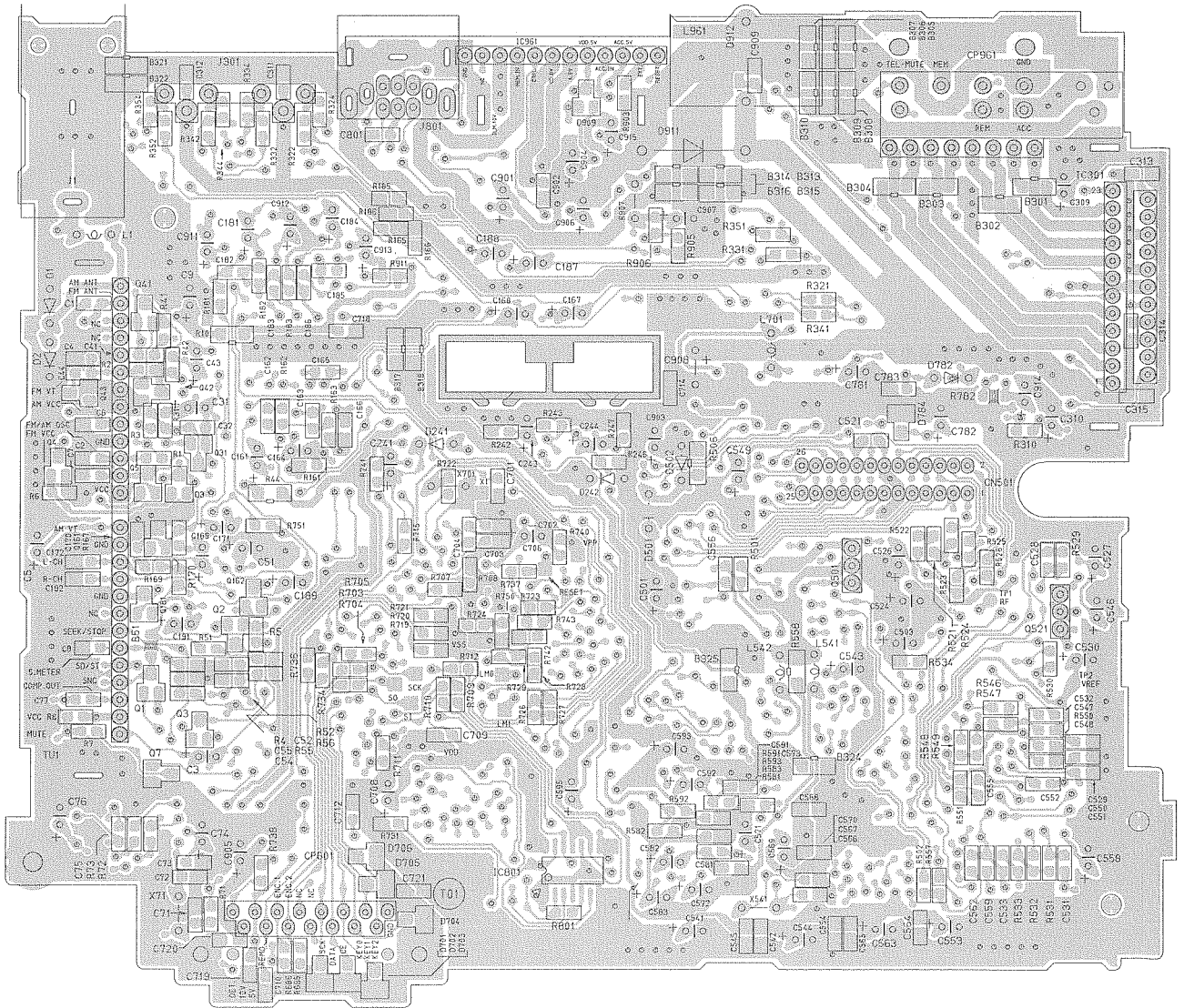
■ Main board

4

3

2

1



A

B

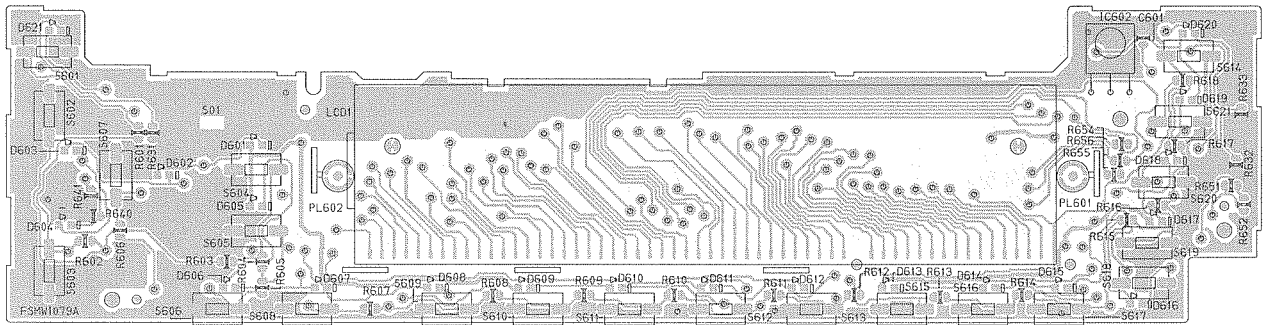
C

2-28

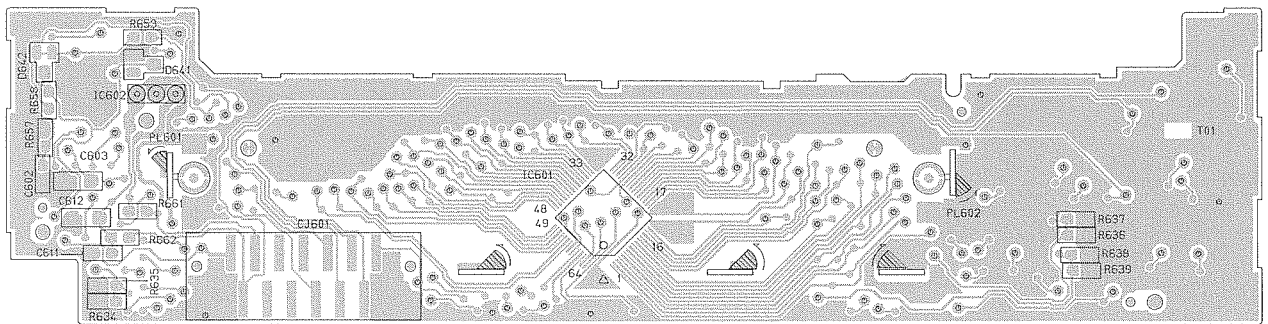
D



■ Switch board (Forward side)



■ Switch board (Reverse side)





# PARTS LIST

[ KD-S676 R ]  
[ KD-S673 R ]

\* All printed circuit boards and its assemblies are not available as service parts.

## Areas suffix

E ----- Continental Europe

### - Contents -

Exploded view of general assembly and parts list .....	3-2
CD mechanism assembly and parts list .....	3-4
Electrical parts list .....	3-6
Packing materials and accessories parts list .....	3-10

■ Parts list (General assembly)

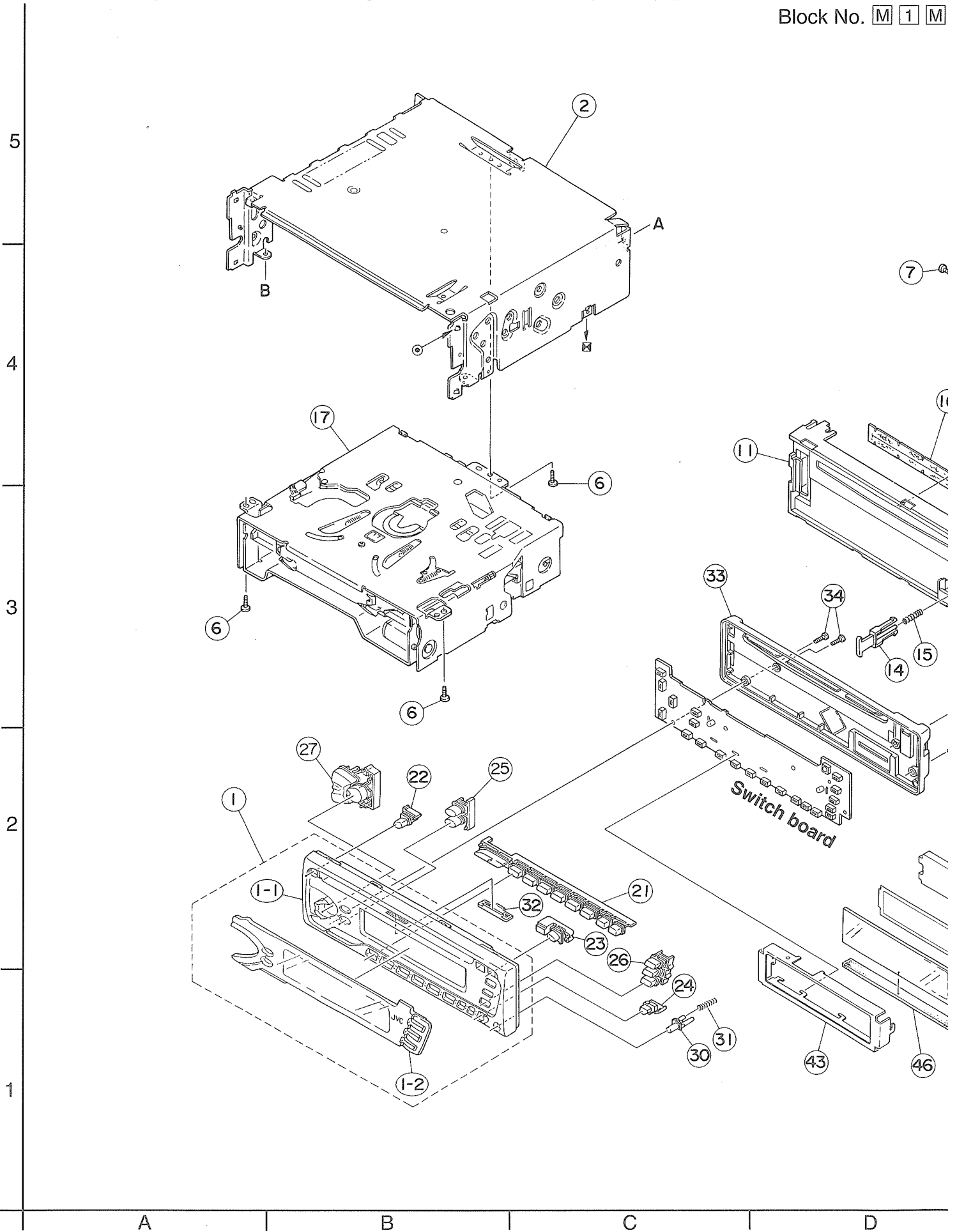
Block No. M1MM

△	Item	Parts number	Parts name	Q'ty	Description	Area
	1	ZCKDS673R-NPA	F.PANEL ASS'Y	1	KD-S673R	
		ZCKDS676R-NPA	F.PANEL ASS'Y	1	KD-S676R	
	1-1	FSJC1057-002	FRONT PANEL	1		
	1-2	FSJD3023-00C	FINDER LENS	1	KD-S676R	
		FSJD3023-00D	FINDER LENS	1	KD-S673R	
	2	FSJC1029-024	TOP CHASSIS	1		
	3	FSMH3001-202	SIDE PANEL	1		
	4	FSKM3011-002	BOTTOM COVER	1		
	5	FSMA3004-003	INSULATOR	1		
	6	QYSDST2604Z	SCREW	3	CHASSIS+MECHA B	
	7	FSKZ4005-001	SCREW	3		
	8	QYSDST2606Z	SCREW	3	CHASSIS+REAR BK	
	9	QYSDST2606Z	SCREW	2	CHASSIS+MAIN PW	
	11	FSJC2013-002	FRONT CHASSIS	1		
	12	FSKS3010-001	LOCK LEVER	1		
	13	FSKW4005-003	TORSION SPRING	1	FOR LOCK LEVEL	
	14	FSXP3026-002	RLS KNOB	1		
	15	FSKW3002-015	COMP.SPRING	1		
	16	FSPK3009-001	BLIND	1		
	17	-----	CD MECHA	1	TN-CCD1001Z	
	21	FSXP2035-052	PRESET BUTTON	1		
	22	FSXP3053-002	POWER BUTTON	1		
	23	FSXP3054-002	EJECT BUTTON	1		
	24	FSXP4005-019	BBE BUTTON	1		
	25	FSXP3068-002	PUSH BUTTON	1		
	26	FSXP2034-034	D.FUNC BUTTON	1	CD/FWAM	
	27	FSXP2044-001	COMBO BUTTON	1		
	30	FSXP3055-001	DETACH BUTTON	1		
	31	FSKW3002-012	COMP. SPRING	1	FOR DETACH BUTT	
	32	FSJK3026-001	CD LENS	1		
	33	FSJC1043-002	REAR COVER	1		
	34	VKZ4777-001	MINI SCREW	4	FRONT+REAR	
	35	FSYN3121-D005	NAME PLATE	1	KD-S676R	
		FSYN3122-D005	NAME PLATE	1	KD-S673R	
△	40	QMFZ021-100-J1	FUSE	1		
	41	VMA4652-001SS	EARTH PLATE	1		
	42	QLD0103-001	LCD MODULE	1		
	43	FSYH3023-001	LCD CASE	1		
	44	FSJK3035-001	LCD LENS	1		
	45	FSKS3022-001	LENS CASE	1		
	46	QNZ0442-001	RUBBER CONNE	1		
	51	FSKM3012-012	REAR BRACKET	1		
	52	FSKL4018-00B	IC BRACKET	1		
	53	FSKL4015-002	REG BRACKET	1		
	54	QYSDST2606Z	SCREW	1		
	55	QYSDST2606Z	SCREW	1		
	56	QYSDSF3006Z	SCREW	1	LINE OUT	
	57	FSKL4014-001	HEAT SINK	1		
	58	FSYH4078-001	LIGHT SHEET	1		

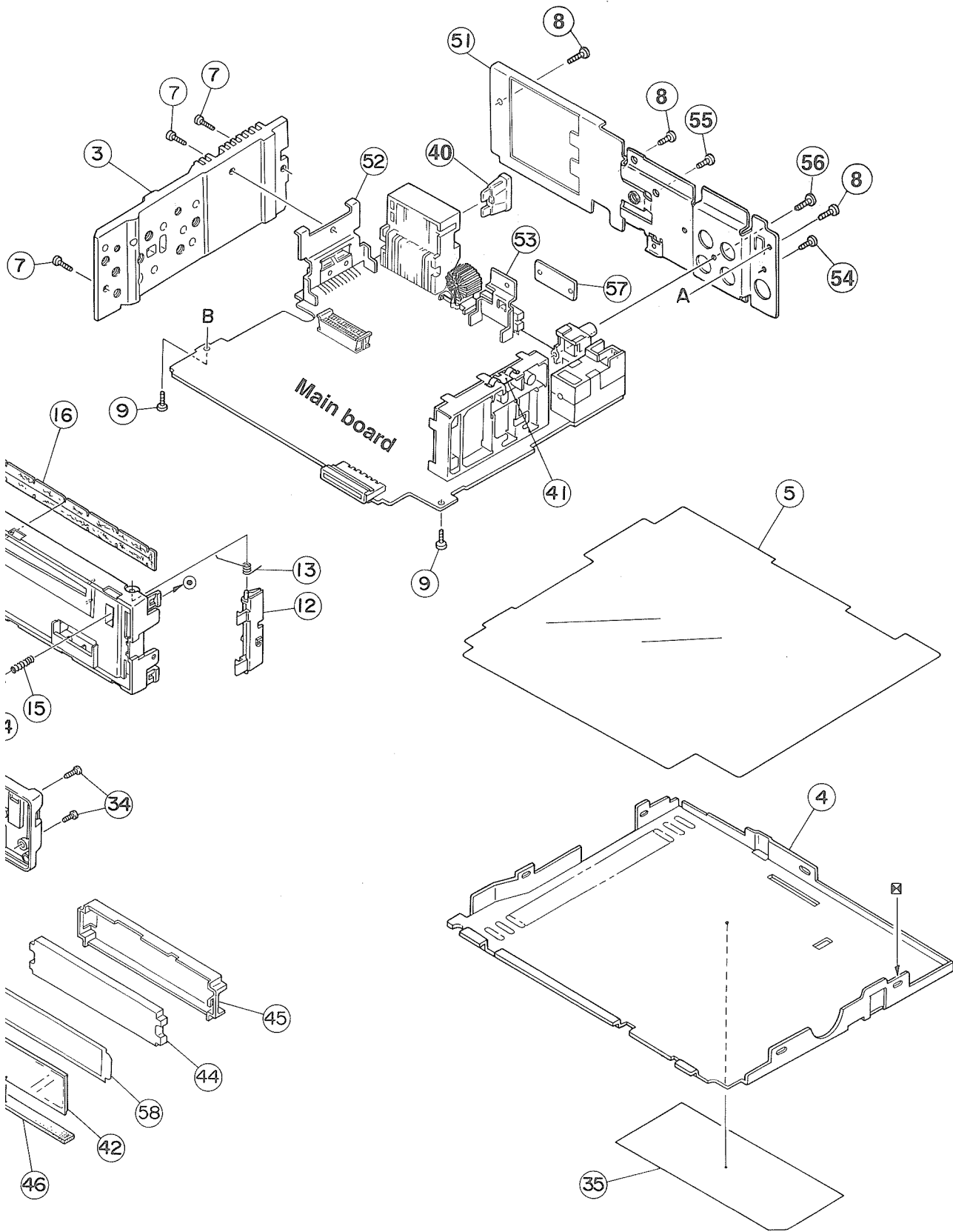


# Exploded view of general assembly and parts list

Block No. **M 1 M**



1 M M



## ■ Parts list (CD mechanism)

Block No. M2MM

△	Item	Parts number	Parts name	Q'ty	Description	Area
	1	30310101T	FRAME	1		
	2	30310103T	DANPER PIN	2		
	3	30310107T	UPPER PLATE	1		
	4	30310108T	SEL STOP PLATE	1		
	5	30310142T	SEL ARM (L)L	1		
	6	30310143T	SEL ARM (R)L	1		
	7	30310145T	S ARM SPRING(L)	2		
	8	30310112T	TRIG LEVER	1		
	9	30310155T	TRIG PL(Z)	1		
	10	30310115T	TRIG PL SPRING	1		
	11	30310116T	TRIG ARM	1		
	12	30310134T	FIX ARM (L)B	1		
	13	30310159T	FIX ARM (R)Z	1		
	14	30310150T	FIX PL (L)Z	1		
	15	30310156T	FIX PL (R) Z	1		
	16	30310138T	LDG GR (6)B	1		
	17	30310122T	LDG GEAR (6)SP	1		
	18	30310148T	S.L ARM(N)	1		
	19	30310125T	S.L ARM SPRING	1		
	20	30310149T	REAR DAM BKT(Z)	1		
	22	30310151T	HUNG UP SP (FZ)	2		
	23	30310129T	HUNG UP SP (R)	2		
	29	30300510T	PU GEAR(B)	1		
	30	-----	T.T.BASE(Z)	1		
	31	-----	TURN TABLE(Z)	1		
	32	30310544T	F.M.BASE(Z)	1		
	33	30310547T	FD GR BLK(Z)	1		
	34	-----	FD GR AZ	1		
	35	-----	FD GR CZ	1		
	36	30310546T	PU GUIDE(Z)	1		
	37	-----	FD SCREW(Z)	1		
	38	30310533T	THRUST SPR(M)	1		
	39	30310548T	PU M NUT(Z)	1		
	40	30310512T	NUT PUSH SPR PL	1		
	41	30310558T	CLP ARM(Z)	1		
	42	30310514T	CLP ARM SPRING	1		
	43	30310552T	CLAMPER(Z)	1		
	46	-----	LOCK PIN(FZ)	2		
	47	-----	LOCK PIN(RZ)	2		
	48	30310557T	CLAMPER PLATE(Z)	1		
	49	30310524T	DAMPER (J)	3		
	50	30310525T	CLP ARM SPR (L)	1		
	51	30310545T	F SCREW GUIDE(Z)	1		
	52	30310556T	PU G.SP PLT(Z)	1		
	54	-----	FEED MOTOR	2	FF030PK-09210	
	55	-----	SPINDLE MOTOR	1	RF300CA-11440D	
	56	64180405T	DET SW	1	ESE11SF4	
	57	OPTIMA-720L1	C.D PICK (CAR)	1		



■ Parts list (CD mechanism)

Block No. M2MM

▲	Item	Parts number	Parts name	Q'ty	Description	Area
	61	30311035T	FPC HOLDER(Z)	1		
	62	19501403T	WIRE CLAMPER	3		
	63	30311037T	PICK UP FPC(Z)	1		
	64	30311036T	CONNECT.PCB(Z-J)	1		
	65	30311038T	WIRE (5P-Z)	1		
	66	30311039T	WIRE (LD-Z)	1		
	67	30311040T	WIRE (FD-Z)	1		
	68	30311041T	WIRE (RS-Z)	1		
	70	64180402T	DET SWITCH	2	ESE22MH1	
	71	64180403T	DET SWITCH	2	ESE22MH3	
	72	68150232T	CONNECTOR	1	TKC-W26X-C1	
	78	-----	LDG PULLEY	1		
	79	30311105T	SOPPORT PLATE	1		
	80	30311138T	GR MT BLK(N)	1		
	81	30311109T	LDG GEAR (2)	1		
	82	30311110T	LDG GEAR (3)	1		
	83	-----	LDG GEAR (4)	1		
	84	30311112T	LDG GEAR (5)	1		
	85	-----	LDG GR ARM	1		
	86	30311136T	LDG ROLLER	2		
	87	-----	LDG RLR SHAFT	1		
	88	30311118T	L.P SPRING (L)	1		
	89	30311119T	L.P SPRING (R)	1		
	90	30311123T	SW PCB	1		
	91	30311124T	SW ACTUATOR	1		
	92	30311129T	LDG BELT	1		
	93	30311140T	FRONT BRKT (J)	1		
	100	9C0620503T	C B TAP SCREW	2	M2X5	
	101	9C2020401T	C SCREW TS.G	5	M2X4	
	102	9C4320403T	C B TAP SCREW	4	M2X4	
	103	9C0117223T	SCREW	2	M1.7X2.2	
	104	9C4217703T	C TAP SCREW S3	1	M1.7X7	
	105	9C0320201T	C TAP SCREW S3	1	M2X2	
	106	9C4920013T	C TAP SCREW S3	2	M2X10	
	107	9C4920603T	C TAP SCREW B3	4	M2X6	
	108	9P0220031T	TAMS SCREW	2	M2X3	
	109	9C0314203T	C TAP SCREW	1	M1.4X2	
	110	9C0420253	C TAP SCREW	1	M2X2.5	
	112	-----	POLY WASHER	1	2.1X3.5X0.3	
	113	9W0330276	NW BLUE	2	2.9X5X0.3	
	114	-----	WAVE WASHER	1		
	115	-----	LUMILAR WASHER	1	2.5X6X0.1	
	116	9W0725030T	LUMILAR WASHER	1	2.3X9.8X0.25	
	117	9W0640030T	WASHER	1	1.4X3.2X0.4	
	130	303105310T	FEED MO ASSY	1	NO.34 54	
	131	303105311T	SPINDLE MO ASSY	1	NO.31 55 112	
	132	303105312T	FEED SCREW ASSY	1	NO.35 37	
	133	303111301T	LDG MOTOR ASSY	1	NO.54 78	
	134	303111302T	ROLLER SHAFT	1	NO.83 85 87	
		303111302T	ROLLER SHAFT	1	NO.114 115	
	135	303105502T	T.T.BASE ASSY	1	NO.30 46 47	

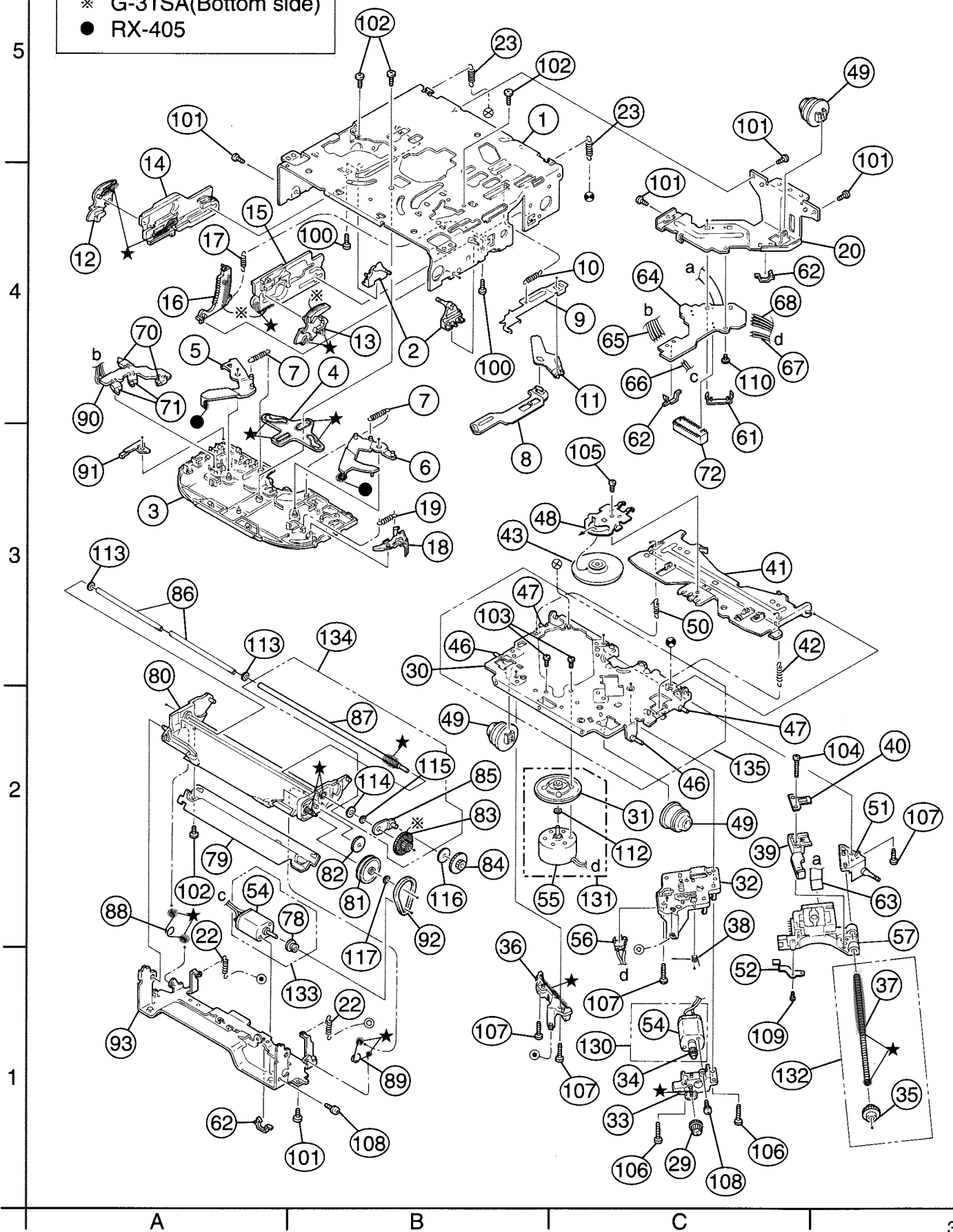


# CD mechanism assembly and parts list

Block No. M 2 M M

**Grease**

- ★ G-31SA
- ※ G-31SA(Bottom side)
- RX-405



# Electrical parts list

■ Electrical parts list (Main board)

Block No. 01

Item	Parts number	Parts name	Remarks	Area
C 1	NDC21HJ-5R0X	C CAPACITOR		
C 2	NDC21HJ-100X	C CAPACITOR		
C 3	QERF1HM-104Z	E CAPACITOR	.10MF 20% 50V	
C 4	NCS21HJ-221X	C CAPACITOR		
C 5	QEK41HM-474	E CAPACITOR	.47MF 20% 50V	
C 6	NCB21EK-473X	C CAPACITOR		
C 7	NCS21HJ-101X	C CAPACITOR		
C 9	QER41AM-227	E CAPACITOR	220MF 20% 10V	
C 31	QERF1HM-225Z	E CAPACITOR	2.2MF 20% 50V	
C 32	NCB21HK-102X	C CAPACITOR		
C 41	NCB21HK-333X	C CAPACITOR		
C 42	NCB21HK-822X	C CAPACITOR		
C 43	QER41AM-227	E CAPACITOR	220MF 20% 10V	
C 44	NCB21HK-103X	C CAPACITOR		
C 55	NCB21HK-331X	C CAPACITOR		
C 71	NDC21HJ-820X	C CAPACITOR		
C 72	NDC21HJ-470X	C CAPACITOR		
C 73	NCB21HK-103X	C CAPACITOR		
C 74	QERF1AM-476Z	E CAPACITOR	47MF 20% 10V	
C 75	NCS21HJ-561X	C CAPACITOR		
C 76	QEKJ1HM-225Z	E CAPACITOR	2.2MF 20% 50V	
C 77	NCB21EK-223X	C CAPACITOR		
C 161	QEKJ1HM-105Z	E CAPACITOR	1.0MF 20% 50V	
C 162	NCB21HK-822X	C CAPACITOR		
C 163	NCB21EK-154X	C CAPACITOR		
C 164	QEKJ1HM-224Z	E CAPACITOR	22MF 20% 50V	
C 165	NCB21HK-333X	C CAPACITOR		
C 166	NCB21HK-562X	C CAPACITOR		
C 167	QERF1HM-225Z	E CAPACITOR	2.2MF 20% 50V	
C 168	QERF1HM-225Z	E CAPACITOR	2.2MF 20% 50V	
C 169	QER41HM-105	E CAPACITOR	1.0MF 20% 50V	
C 170	NCB21HK-821X	C CAPACITOR		
C 171	QER41HM-105	E CAPACITOR	1.0MF 20% 50V	
C 172	NCB21HK-153X	C CAPACITOR		
C 173	NCB21EK-104X	C CAPACITOR		
C 192	NCB21HK-153X	C CAPACITOR		
C 241	QEKJ1HM-224Z	E CAPACITOR	22MF 20% 50V	
C 242	NCB21EK-473X	C CAPACITOR		
C 243	QEKJ1CM-226Z	E CAPACITOR	22MF 20% 16V	
C 244	QEKJ1HM-105Z	E CAPACITOR	1.0MF 20% 50V	
C 309	QER41CM-106	E CAPACITOR	10MF 20% 16V	
C 310	QER41CM-106	E CAPACITOR	10MF 20% 16V	
C 313	NCB21EK-104X	C CAPACITOR		
C 314	NCB21EK-104X	C CAPACITOR		
C 315	NCB21EK-104X	C CAPACITOR		
C 322	NCS21HJ-391X	C CAPACITOR		
C 332	NCS21HJ-391X	C CAPACITOR		
C 501	QER41AM-227	E CAPACITOR	220MF 20% 10V	
C 502	NCB21HK-103X	C CAPACITOR		
C 503	QEKJ1CM-226Z	E CAPACITOR	22MF 20% 16V	
C 521	NCB21HK-103X	C CAPACITOR		
C 522	NCB21HK-103X	C CAPACITOR		
C 523	NCB21EK-103X	C CAPACITOR		
C 524	QER41AM-107	E CAPACITOR	100MF 20% 10V	
C 525	NCB21HK-103X	C CAPACITOR		
C 526	QEKJ0JM-107Z	E CAPACITOR	100MF 20% 6.3V	
C 527	QEKJ0JM-107Z	E CAPACITOR	100MF 20% 6.3V	
C 528	NCS21HJ-101X	C CAPACITOR		
C 529	NCB21HK-103X	C CAPACITOR		
C 530	QEKJ0JM-107Z	E CAPACITOR	100MF 20% 6.3V	
C 531	NCB21EK-104X	C CAPACITOR		
C 532	NCB21EK-104X	C CAPACITOR		
C 533	NCS21HJ-560X	C CAPACITOR		

Item	Parts number	Parts name	Remarks	Area
C 541	QEKJ0JM-107Z	E CAPACITOR	100MF 20% 6.3V	
C 542	NCB21HK-103X	C CAPACITOR		
C 543	QEKJ1HM-105Z	E CAPACITOR	1.0MF 20% 50V	
C 544	QEKJ0JM-107Z	E CAPACITOR	100MF 20% 6.3V	
C 545	NCB21HK-103X	C CAPACITOR		
C 546	QEKJ0JM-107Z	E CAPACITOR	100MF 20% 6.3V	
C 547	NDC21HJ-470X	C CAPACITOR		
C 548	NCB21HK-153X	C CAPACITOR		
C 549	QEKJ0JM-107Z	E CAPACITOR	100MF 20% 6.3V	
C 550	NCB21HK-103X	C CAPACITOR		
C 551	NCB21HK-272X	C CAPACITOR		
C 552	NCB21HK-103X	C CAPACITOR		
C 553	QEKJ0JM-107Z	E CAPACITOR	100MF 20% 6.3V	
C 554	NCB21HK-103X	C CAPACITOR		
C 555	NCB21EK-333X	C CAPACITOR		
C 556	NCB21HK-332X	C CAPACITOR		
C 582	QEK41EM-475	E CAPACITOR	4.7MF 20% 25V	
C 583	QEKJ0JM-476Z	E CAPACITOR	47MF 20% 6.3V	
C 584	NCS21HJ-121X	C CAPACITOR		
C 594	NCS21HJ-121X	C CAPACITOR		
C 595	QEKJ1AM-107Z	E CAPACITOR	100MF 20% 10V	
C 701	NDC21HJ-270X	C CAPACITOR		
C 702	NDC21HJ-270X	C CAPACITOR		
C 703	NCB21EK-104X	C CAPACITOR		
C 704	NCB21EK-104X	C CAPACITOR		
C 706	QEKJ0JM-107Z	E CAPACITOR	100MF 20% 6.3V	
C 707	NCB21HK-103X	C CAPACITOR		
C 708	QERF0JM-107Z	E CAPACITOR	100MF 20% 6.3V	
C 709	NCB21HK-103X	C CAPACITOR		
C 712	NDC21HJ-680X	C CAPACITOR		
C 718	NCB21HK-103X	C CAPACITOR		
C 719	NCB21EK-104X	C CAPACITOR		
C 720	NCB21EK-104X	C CAPACITOR		
C 721	NCB21EK-104X	C CAPACITOR		
C 781	QERF0JM-107Z	E CAPACITOR	100MF 20% 6.3V	
C 782	QERF1CM-226Z	E CAPACITOR	22MF 20% 16V	
C 783	NCB21EK-823X	C CAPACITOR		
C 891	NCB21EK-473X	C CAPACITOR		
C 901	QER41AM-227	E CAPACITOR	220MF 20% 10V	
C 902	NCB21HK-103X	C CAPACITOR		
C 903	QEKJ1CM-226Z	E CAPACITOR	22MF 20% 16V	
C 904	QER41AM-227	E CAPACITOR	220MF 20% 10V	
C 905	QER41CM-106	E CAPACITOR	10MF 20% 16V	
C 906	QER41CM-106	E CAPACITOR	10MF 20% 16V	
C 907	QERF1HM-225Z	E CAPACITOR	2.2MF 20% 50V	
C 908	QEZ0338-228	E CAPACITOR	2200MF	
C 909	NCB21EK-104X	C CAPACITOR		
C 911	QERF1AM-476Z	E CAPACITOR	47MF 20% 10V	
C 912	QER41AM-107	E CAPACITOR	100MF 20% 10V	
C 913	QEKJ1CM-107Z	E CAPACITOR	100MF 20% 16V	
C 914	QERF1EM-475Z	E CAPACITOR	4.7MF 20% 25V	
C 915	QER41CM-106	E CAPACITOR	10MF 20% 16V	
CN501	QGB2027M1-26S	CONNECTOR		
CP601	VMC0334-001	CONNECTOR	F.PANEL CONN.	
CP961	QNZ0112-001	CAR CONNECTOR		
D 1	1SS133-T1	SI DIODE 1/M		
D 2	1SS133-T1	SI DIODE 1/M		
D 3	MA152WK-X	SI DIODE		
D 41	MA3100/L/-X	ZENER DIODE		
D 161	MA152WK-X	SI DIODE		
D 241	1SS133-T1	SI DIODE 1/M		
D 242	1SS133-T1	SI DIODE 1/M		
D 341	MA152WA-X	DIODE		

■ Electrical parts list (Main board)

Block No. 01

△	Item	Parts number	Parts name	Remarks	Area
	D 501	DSK10C-T1	DIODE		
	D 502	DSK10C-T1	DIODE		
	D 781	MA152WK-X	SI DIODE		
	D 782	1SS133-T1	SI DIODE 1/M		
	D 784	MA3110/M-X	ZENER DIODE		
	D 891	MA152WA-X	DIODE		
	D 909	MA152WA-X	DIODE		
	D 910	CRS03-W	SB DIODE		
	D 911	1N5401-TU-15	DIODE		
	D 912	CRS03-W	SB DIODE		
	D 953	MA152WK-X	SI DIODE		
	IC 71	SAA6579T-X	IC		
	IC161	TEA6320T-X	IC		
	IC301	HA13158A	IC		
	IC501	LA6557-X	IC		
	IC521	TA2109F-X	IC		
	IC541	TC9462F	IC		
	IC581	NJM4565M-WE	IC		
	IC701	UPD178078GF-522	I.C(MICRO-COMP)		
	IC961	BA4905-V3	IC		
	J 1	QNZ0009-001	CAR ANT JACK		
	J 301	QNN0170-001	PIN JACK (REEL)		
	L 1	QQL244J-4R7Z	INDUCTOR		
	L 541	QQL244J-4R7Z	INDUCTOR		
	L 542	QQL244J-4R7Z	INDUCTOR		
	L 701	QQL244J-4R7Z	INDUCTOR		
	L 961	QQR0703-001	CHOKE COIL		
	Q 1	UN2211-X	TRANSISTOR		
	Q 2	2SD601A/R/-X	TRANSISTOR		
	Q 3	UN2111-X	TRANSISTOR		
	Q 4	2SB709A/R/-X	TRANSISTOR		
	Q 5	2SB815/7/-X	TRANSISTOR		
	Q 7	UN2211-X	TRANSISTOR		
	Q 31	2SD601A/R/-X	TRANSISTOR		
	Q 32	2SD601A/R/-X	TRANSISTOR		
	Q 41	2SD601A/R/-X	TRANSISTOR		
	Q 42	2SC3661-X	TRANSISTOR		
	Q 43	UN2211-X	TRANSISTOR		
	Q 161	2SD601A/R/-X	TRANSISTOR		
	Q 162	UN2111-X	TRANSISTOR		
	Q 174	UN2111-X	TRANSISTOR		
	Q 241	2SD601A/R/-X	TRANSISTOR		
	Q 501	2SB1322/RS/-T	TRANSISTOR		
	Q 521	2SB1322/RS/-T	TRANSISTOR		
	Q 781	UN2111-X	TRANSISTOR		
	Q 782	UN2211-X	TRANSISTOR		
	Q 783	UN2111-X	TRANSISTOR		
	Q 891	UN2211-X	TRANSISTOR		
	Q 901	2SB709A/R/-X	TRANSISTOR		
	Q 902	UN2213-X	TRANSISTOR		
	R 1	NRSA02J-0R0X	MG RESISTOR		
	R 2	NRSA02J-102X	MG RESISTOR		
	R 3	NRSA02J-102X	MG RESISTOR		
	R 4	NRSA02J-223X	MG RESISTOR		
	R 5	NRSA02J-472X	MG RESISTOR		
	R 6	NRSA02J-473X	MG RESISTOR		
	R 7	NRSA02J-472X	MG RESISTOR		
	R 8	NRSA02J-473X	MG RESISTOR		
	R 9	NRSA02J-332X	MG RESISTOR		
	R 31	NRSA02J-102X	MG RESISTOR		
	R 32	NRSA02J-103X	MG RESISTOR		
	R 33	NRSA02J-152X	MG RESISTOR		
	R 41	NRSA02J-332X	MG RESISTOR		

△	Item	Parts number	Parts name	Remarks	Area
	R 42	NRSA02J-102X	MG RESISTOR		
	R 43	NRSA02J-102X	MG RESISTOR		
	R 44	NRS181J-471X	MG RESISTOR		
	R 71	NRSA02J-222X	MG RESISTOR		
	R 72	NRSA02J-222X	MG RESISTOR		
	R 73	NRSA02J-222X	MG RESISTOR		
	R 162	NRSA02J-223X	MG RESISTOR		
	R 163	NRSA02J-222X	MG RESISTOR		
	R 164	NRSA02J-332X	MG RESISTOR		
	R 165	NRSA02J-473X	MG RESISTOR		
	R 166	NRSA02J-473X	MG RESISTOR		
	R 168	NRSA02J-223X	MG RESISTOR		
	R 169	NRSA02J-472X	MG RESISTOR		
	R 170	NRSA02J-472X	MG RESISTOR		
	R 184	NRSA02J-332X	MG RESISTOR		
	R 241	NRSA02J-274X	MG RESISTOR		
	R 242	NRSA02J-102X	MG RESISTOR		
	R 243	NRSA02J-101X	MG RESISTOR		
	R 244	NRSA02J-123X	MG RESISTOR		
	R 245	NRSA02J-184X	MG RESISTOR		
	R 246	NRSA02J-223X	MG RESISTOR		
	R 247	NRSA02J-473X	MG RESISTOR		
	R 321	NRSA02J-823X	MG RESISTOR		
	R 331	NRSA02J-823X	MG RESISTOR		
	R 343	NRSA02J-222X	MG RESISTOR		
	R 344	NRSA02J-101X	MG RESISTOR		
	R 501	NRSA02J-562X	MG RESISTOR		
	R 502	NRSA02J-562X	MG RESISTOR		
	R 503	NRSA02J-242X	MG RESISTOR		
	R 504	NRSA02J-203X	MG RESISTOR		
	R 507	NRS181J-0R0X	MG RESISTOR		
	R 521	NRSA02J-473X	MG RESISTOR		
	R 522	NRSA02J-473X	MG RESISTOR		
	R 523	NRSA02J-473X	MG RESISTOR		
	R 524	NRSA02J-473X	MG RESISTOR		
	R 525	NRSA02J-104X	MG RESISTOR		
	R 526	NRSA02J-104X	MG RESISTOR		
	R 527	NRSA02J-220X	MG RESISTOR		
	R 528	NRSA02J-220X	MG RESISTOR		
	R 529	NRSA02J-273X	MG RESISTOR		
	R 530	NRSA02J-333X	MG RESISTOR		
	R 531	NRSA02J-222X	MG RESISTOR		
	R 532	NRSA02J-153X	MG RESISTOR		
	R 533	NRSA02J-682X	MG RESISTOR		
	R 534	NRSA02J-473X	MG RESISTOR		
	R 541	NRSA02J-472X	MG RESISTOR		
	R 542	NRSA02J-472X	MG RESISTOR		
	R 543	NRSA02J-472X	MG RESISTOR		
	R 544	NRSA02J-472X	MG RESISTOR		
	R 545	NRSA02J-103X	MG RESISTOR		
	R 546	NRSA02J-103X	MG RESISTOR		
	R 547	NRSA02J-473X	MG RESISTOR		
	R 548	NRSA02J-683X	MG RESISTOR		
	R 549	NRSA02J-474X	MG RESISTOR		
	R 701	NRSA02J-102X	MG RESISTOR		
	R 702	NRSA02J-122X	MG RESISTOR		
	R 703	NRSA02J-222X	MG RESISTOR		
	R 704	NRSA02J-222X	MG RESISTOR		
	R 705	NRSA02J-222X	MG RESISTOR		
	R 706	NRSA02J-103X	MG RESISTOR		
	R 707	NRSA02J-473X	MG RESISTOR	KD-S676R ONLY	
	R 708	NRSA02J-473X	MG RESISTOR	KD-S676R ONLY	
	R 709	NRSA02J-472X	MG RESISTOR		

KD-S676R/KD-S673R

■ Electrical parts list (Main board)

Block No. 01

△	Item	Parts number	Parts name	Remarks	Area
	R 710	NRSA02J-472X	MG RESISTOR		
	R 711	NRSA02J-472X	MG RESISTOR		
	R 712	NRSA02J-472X	MG RESISTOR		
	R 713	NRSA02J-103X	MG RESISTOR		
	R 714	NRSA02J-103X	MG RESISTOR		
	R 715	NRSA02J-103X	MG RESISTOR		
	R 716	NRSA02J-103X	MG RESISTOR		
	R 717	NRSA02J-103X	MG RESISTOR		
	R 718	NRSA02J-103X	MG RESISTOR		
	R 719	NRSA02J-472X	MG RESISTOR		
	R 720	NRSA02J-472X	MG RESISTOR		
	R 721	NRSA02J-472X	MG RESISTOR		
	R 722	NRSA02J-391X	MG RESISTOR		
	R 723	NRSA02J-104X	MG RESISTOR		
	R 725	NRSA02J-104X	MG RESISTOR		
	R 726	NRSA02J-473X	MG RESISTOR		
	R 727	NRSA02J-473X	MG RESISTOR		
	R 728	NRSA02J-473X	MG RESISTOR		
	R 729	NRSA02J-473X	MG RESISTOR		
	R 730	NRSA02J-104X	MG RESISTOR		
	R 731	NRSA02J-104X	MG RESISTOR		
	R 732	NRSA02J-473X	MG RESISTOR		
	R 733	NRSA02J-473X	MG RESISTOR		
	R 734	NRSA02J-103X	MG RESISTOR		
	R 736	NRSA02J-103X	MG RESISTOR		
	R 737	NRSA02J-473X	MG RESISTOR		
	R 738	NRSA02J-103X	MG RESISTOR		
	R 739	NRSA02J-473X	MG RESISTOR		
	R 740	NRSA02J-473X	MG RESISTOR		
	R 743	NRSA02J-473X	MG RESISTOR		
	R 744	NRSA02J-222X	MG RESISTOR		
	R 745	NRSA02J-222X	MG RESISTOR		
	R 746	NRSA02J-473X	MG RESISTOR		
	R 781	NRS181J-273X	MG RESISTOR		
	R 782	NRS181J-181X	MG RESISTOR		
	R 801	NRSA02J-104X	MG RESISTOR		
	R 802	NRSA02J-104X	MG RESISTOR		
	R 803	NRSA02J-104X	MG RESISTOR		
	R 807	NRSA02J-104X	MG RESISTOR		
	R 809	NRSA02J-104X	MG RESISTOR		
	R 891	NRSA02J-473X	MG RESISTOR		
	R 892	NRSA02J-102X	MG RESISTOR		
	R 901	NRSA02J-222X	MG RESISTOR		
	R 902	NRSA02J-473X	MG RESISTOR		
	R 903	NRSA02J-0R0X	MG RESISTOR		
	R 905	NRSA02J-472X	MG RESISTOR		
	R 906	NRSA02J-103X	MG RESISTOR		
	R 907	QRZ0125-470X	C RESISTOR	47 1/W	
	R 911	NRSA02J-100X	MG RESISTOR		
	R 976	NRSA02J-473X	MG RESISTOR		
	R 977	NRSA02J-273X	MG RESISTOR		
	R 978	NRSA02J-123X	MG RESISTOR		
	TU 1	QAU0156-001	TUNER		
	X 71	QAX0263-001Z	CRYSTAL		
	X 541	QAX0413-001Z	CRYSTAL		
	X 701	QAX0406-001Z	CRYSTAL		

■ Electrical parts list (Switch board) Block No. 02

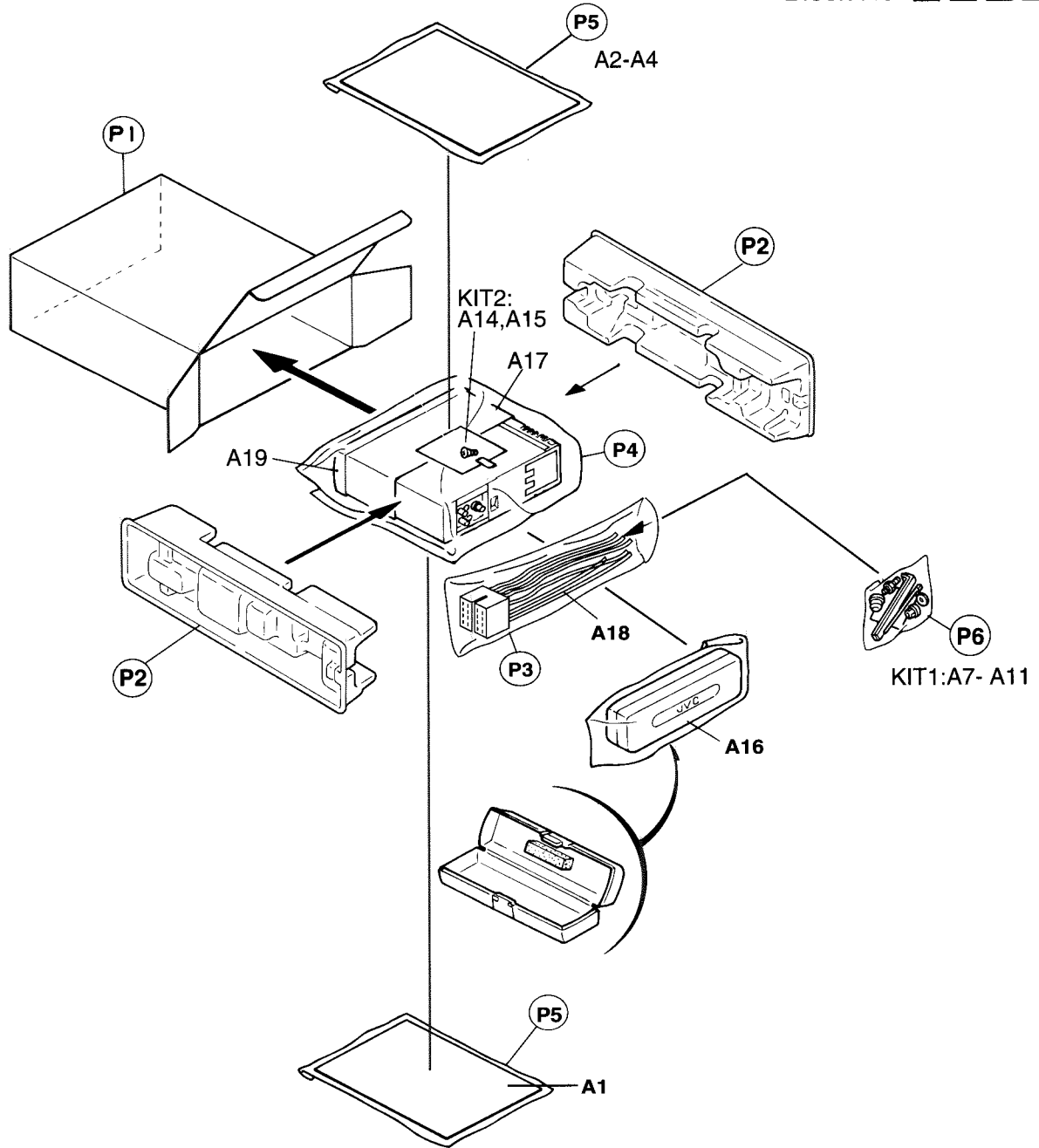
△	Item	Parts number	Parts name	Remarks	Area
	C 601	NCB21HK-223X	C CAPACITOR		
	C 602	NCS21HJ-681X	C CAPACITOR		
	C 603	NBE20JM-106X	TS E CAP SVB20J		
	CJ601	VMC0335-001	CONNECTOR		
	D 601	SML-310DT/KL/-X	LED	KD-S673R	
	D 601	LNJ308G81/1-3/X	LED	KD-S676R	
	D 602	LNJ308G81/1-3/X	LED	KD-S676R	
	D 602	SML-310DT/KL/-X	LED	KD-S673R	
	D 603	SML-310DT/KL/-X	LED	KD-S673R	
	D 603	LNJ308G81/1-3/X	LED	KD-S676R	
	D 604	LNJ308G81/1-3/X	LED	KD-S676R	
	D 604	SML-310DT/KL/-X	LED	KD-S673R	
	D 605	SML-310DT/KL/-X	LED	KD-S673R	
	D 605	LNJ308G81/1-3/X	LED	KD-S676R	
	D 606	LNJ308G81/1-3/X	LED	KD-S676R	
	D 606	SML-310DT/KL/-X	LED	KD-S673R	
	D 607	LNJ308G81/1-3/X	LED	KD-S676R	
	D 607	SML-310DT/KL/-X	LED	KD-S673R	
	D 608	LNJ308G81/1-3/X	LED	KD-S676R	
	D 608	SML-310DT/KL/-X	LED	KD-S673R	
	D 609	LNJ308G81/1-3/X	LED	KD-S676R	
	D 609	SML-310DT/KL/-X	LED	KD-S673R	
	D 610	SML-310DT/KL/-X	LED	KD-S673R	
	D 610	LNJ308G81/1-3/X	LED	KD-S676R	
	D 611	LNJ308G81/1-3/X	LED	KD-S676R	
	D 611	SML-310DT/KL/-X	LED	KD-S673R	
	D 612	SML-310DT/KL/-X	LED	KD-S673R	
	D 612	LNJ308G81/1-3/X	LED	KD-S676R	
	D 613	LNJ308G81/1-3/X	LED	KD-S676R	
	D 613	SML-310DT/KL/-X	LED	KD-S673R	
	D 614	SML-310DT/KL/-X	LED	KD-S673R	
	D 614	LNJ308G81/1-3/X	LED	KD-S676R	
	D 615	LNJ308G81/1-3/X	LED	KD-S676R	
	D 615	SML-310DT/KL/-X	LED	KD-S673R	
	D 616	SML-310DT/KL/-X	LED	KD-S673R	
	D 616	LNJ308G81/1-3/X	LED	KD-S676R	
	D 617	LNJ308G81/1-3/X	LED	KD-S676R	
	D 617	SML-310DT/KL/-X	LED	KD-S673R	
	D 618	SML-310DT/KL/-X	LED	KD-S673R	
	D 618	LNJ308G81/1-3/X	LED	KD-S676R	
	D 619	LNJ308G81/1-3/X	LED	KD-S676R	
	D 619	SML-310DT/KL/-X	LED	KD-S673R	
	D 620	LNJ308G81/1-3/X	LED	KD-S676R	
	D 620	SML-310DT/KL/-X	LED	KD-S673R	
	D 621	SML-310LT/MN/-X	LED	POWER LED	
	D 641	MA3047/M/-X	ZENER DIODE		
	D 642	MA152WK-X	SI DIODE		
	IC601	LC75823W	IC		
	PL601	QLL0075-001	PILOT LAMP	KD-S673R	
	PL601	QLL0056-001	PILOT LAMP	KD-S676R	
	PL602	QLL0056-001	PILOT LAMP	KD-S676R	
	PL602	QLL0075-001	PILOT LAMP	KD-S673R	
	R 601	NRSA02J-821X	MG RESISTOR		
	R 602	NRSA02J-821X	MG RESISTOR		
	R 603	NRSA02J-122X	MG RESISTOR		
	R 604	NRSA02J-182X	MG RESISTOR		
	R 605	NRSA02J-272X	MG RESISTOR		
	R 606	NRSA02J-821X	MG RESISTOR		
	R 607	NRSA02J-821X	MG RESISTOR		
	R 608	NRSA02J-122X	MG RESISTOR		
	R 609	NRSA02J-182X	MG RESISTOR		
	R 610	NRSA02J-272X	MG RESISTOR		
	R 611	NRSA02J-392X	MG RESISTOR		






△	Item	Parts number	Parts name	Remarks	Area
	R 612	NRSA02J-103X	MG RESISTOR		
	R 613	NRSA02J-821X	MG RESISTOR		
	R 614	NRSA02J-821X	MG RESISTOR		
	R 615	NRSA02J-122X	MG RESISTOR		
	R 616	NRSA02J-182X	MG RESISTOR		
	R 617	NRSA02J-272X	MG RESISTOR		
	R 618	NRSA02J-392X	MG RESISTOR		
	R 631	NRSA02J-821X	MG RESISTOR		
	R 632	NRSA02J-271X	MG RESISTOR		
	R 633	NRSA02J-271X	MG RESISTOR		
	R 634	NRSA02J-271X	MG RESISTOR		
	R 635	NRSA02J-271X	MG RESISTOR		
	R 636	NRSA02J-271X	MG RESISTOR		
	R 637	NRSA02J-271X	MG RESISTOR		
	R 638	NRSA02J-271X	MG RESISTOR		
	R 639	NRSA02J-271X	MG RESISTOR		
	R 640	NRSA02J-271X	MG RESISTOR		
	R 641	NRSA02J-271X	MG RESISTOR		
	R 651	NRSA02J-222X	MG RESISTOR		
	R 652	NRSA02J-222X	MG RESISTOR		
	R 653	NRSA02J-103X	MG RESISTOR		
	R 654	NRSA02J-103X	MG RESISTOR		
	R 655	NRSA02J-103X	MG RESISTOR		
	R 656	NRSA02J-103X	MG RESISTOR		
	R 657	NRSA02J-513X	MG RESISTOR		
	R 658	NRSA02J-184X	MG RESISTOR		
	S 601	NSW0124-001X	TACT SWITCH	POWER	
	S 602	NSW0124-001X	TACT SWITCH	VOL UP	
	S 603	NSW0124-001X	TACT SWITCH	VOL DOWN	
	S 604	NSW0124-001X	TACT SWITCH	LOUD	
	S 605	NSW0124-001X	TACT SWITCH	MO	
	S 606	NSW0124-001X	TACT SWITCH	DOWN	
	S 607	NSW0124-001X	TACT SWITCH	SELECT	
	S 608	NSW0124-001X	TACT SWITCH	UP	
	S 609	NSW0124-001X	TACT SWITCH	1	
	S 610	NSW0124-001X	TACT SWITCH	2	
	S 611	NSW0124-001X	TACT SWITCH	3	
	S 612	NSW0124-001X	TACT SWITCH	4	
	S 613	NSW0124-001X	TACT SWITCH	5	
	S 614	NSW0124-001X	TACT SWITCH	EJECT	
	S 615	NSW0124-001X	TACT SWITCH	6	
	S 616	NSW0124-001X	TACT SWITCH	DISPLAY	
	S 617	NSW0124-001X	TACT SWITCH	SCAN	
	S 618	NSW0124-001X	TACT SWITCH	SOUND	
	S 619	NSW0124-001X	TACT SWITCH	AM	
	S 620	NSW0124-001X	TACT SWITCH	FM	
	S 621	NSW0124-001X	TACT SWITCH	CD	

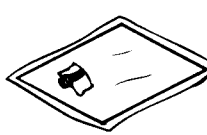
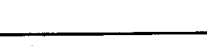
# Packing materials and accessories parts list

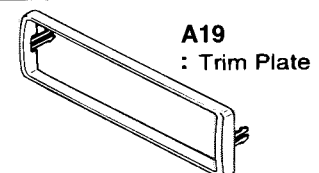
Block No. M 3 M M

Block No. M 4 M M



SCREW KIT 1	
	A11 Hook
	A7 Plug Nut
	A8 Mount Bolt
	A9 Lock Nut
	A10 Washer

SCREW KIT 2	
	A14 Screw
	A15 Sheet





■ Parts list (Packing parts list)

Block No. M3MM

△	Item	Parts number	Parts name	Q'ty	Description	Area
	P 1	FSPE3004-056	PACKING CASE	1	KD-S673R	
		FSPE3004-055	PACKING CASE	1	KD-S676R	
	P 2	FSPH1017-001	PAPER CUSHION	2		
	P 3	QPA01003003	POLY BAG	1		
	P 4	VPE3005-064	POLY BAG	1	SET(260X440X0.0	
	P 5	QPA01703505P	POLY BAG	2	INST.BOOK	
	P 6	QPA00801205	POLY BAG	1		

■ Parts list (Accessories parts list)

Block No. M4MM

△	Item	Parts number	Parts name	Q'ty	Description	Area
	A 1	FSUN3121-311	INST.BOOK	1	ENG GER FRE DUT	
	A 2	FSUN3121-T211	INSTRUCT.SHEET	1	ENG GER FRE	
		FSUN3121-T451	INSTRUCT.SHEET	1	DUT SPA ITA	
		FSUN3121-T481	INSTRUCT.SHEET	1	SWE FIN	
	A 3	BT-54013-1	WARRANTY CARD	1		
	A 4	FSUN3121-321	INST.BOOK	1	SPA ITA SWE FIN	
	A 7	VKZ4027-202	PLUG NUT	1		
	A 8	VKH4871-001SS	MOUNT BOLT	1		
	A 9	VKZ4328-001	LOCK NUT	1	FOR M5	
	A 10	WNS5000Z	WASHER	1		
	A 11	FSKL4010-002	HOOK	2		
	A 14	VKZ4777-001	MINI SCREW	1		
	A 15	FSYA4001-001	SHEET	1		
	A 16	FSJB3001-30A	HARD CASE	1		
	A 17	FSKM2004-202	MOUNTING SLEEVE	1		
△	A 18	QAM0175-001	POWER CORD	1		
	A 19	FSJD2034-001	TRIM PLATE	1		
	KIT 1	KDGS717K-SCREW1	SCREW PARTS KIT	1	A7-A11	
	KIT 2	KDGS727J-SCREW2	SCREW PARTS KIT	1	A14 A15	

**JVC**

VICTOR COMPANY OF JAPAN, LIMITED

MOBILE ELECTRONICS DIVISION, 10-1, 1Chome, Ohwatari-machi, Maebashi-city, Japan